

ASSEMBLY INSTRUCTIONS

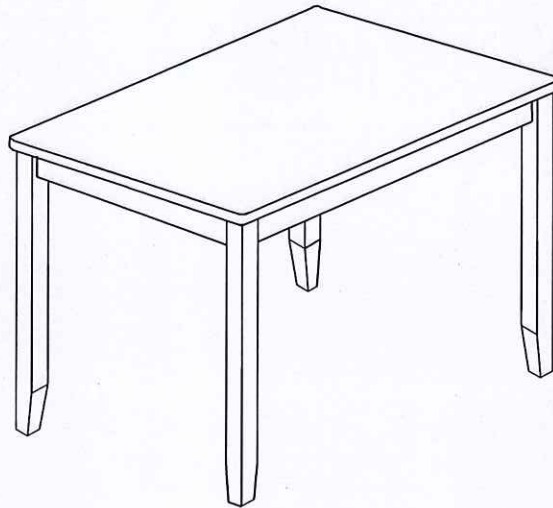
WF282077 AAE -DINING TABLE

IMPORTANT NOTE :



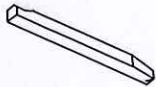



** PLACE ALL PARTS ON A CLEAN AND SMOOTH SURFACE SUCH AS A RUG OR CARPET TO AVOID THE PARTS FROM BEING SCRATCHED.

** BEFORE YOU BEGIN, KINDLY FOLLOW THE ASSEMBLY INSTRUCTIONS STEP BY STEP.

**DO NOT TIGHTEN ALL SCREWS AND BOLTS UNTIL THE TABLE IS FULLY SET-UP.

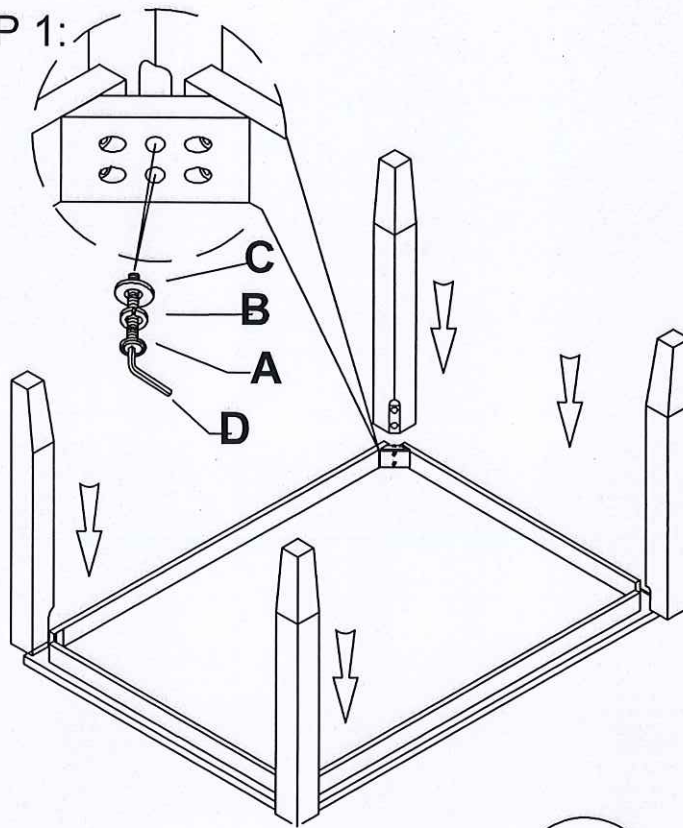


CARTONS ONLY ONE/ CARTONS SEULEMENT UN

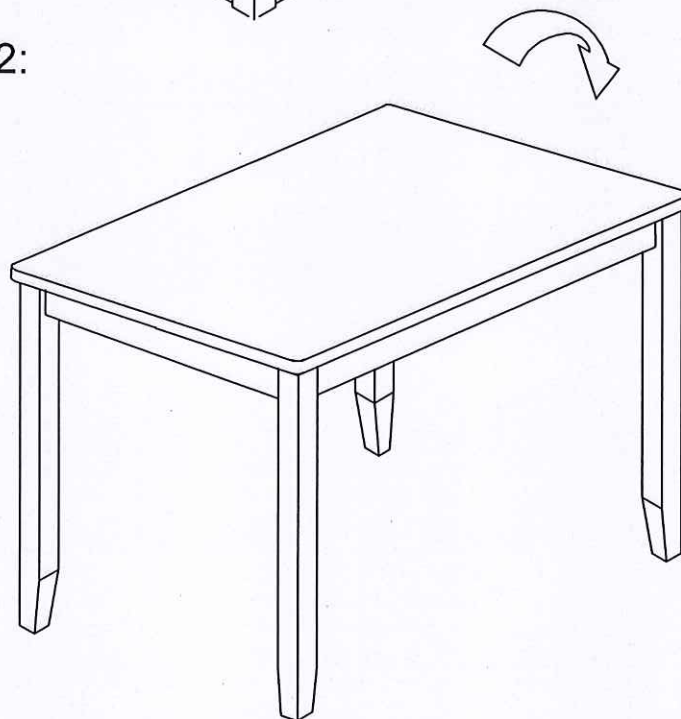
PART LISTS				HARDWARE LISTS			
1	TABLE TOP		1 PCs	A	BOLT Ø5/16" x 80mmL		8 PCS
2	LEGS		4 PCS	B	SPRING WASHER Ø5/16" x 13mmL		8 PCS
				C	FLAT WASHER Ø5/16" x 19mmL		8 PCS
				D	ALLEN KEY		1 PCS

ASSEMBLY INSTRUCTIONS

STEP 1:



STEP 2:

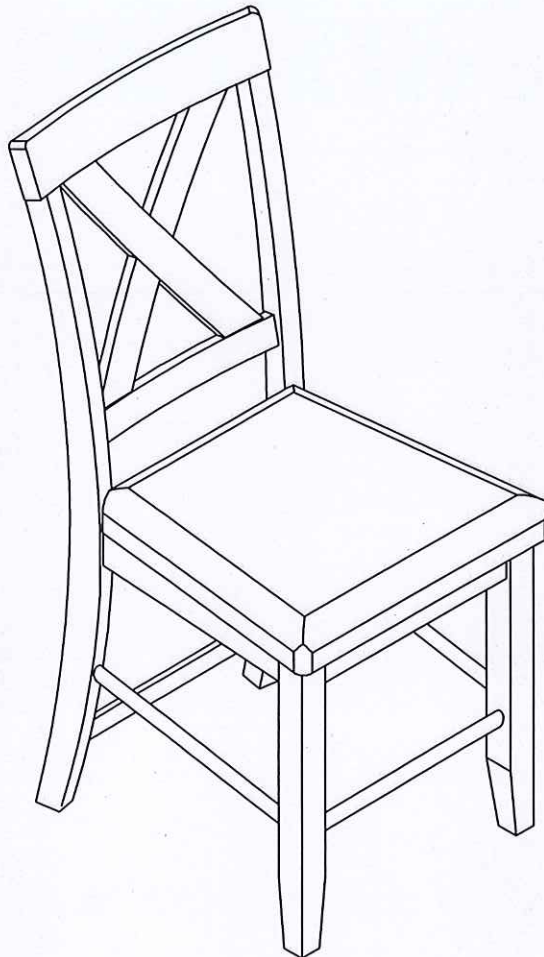


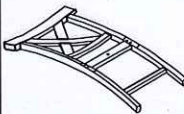

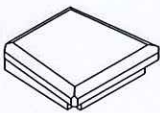

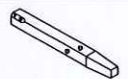

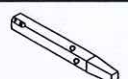

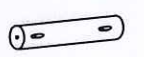




ASSEMBLY INSTRUCTIONS

WF282078 AAE - DINING CHAIR

IMPORTANT NOTE :

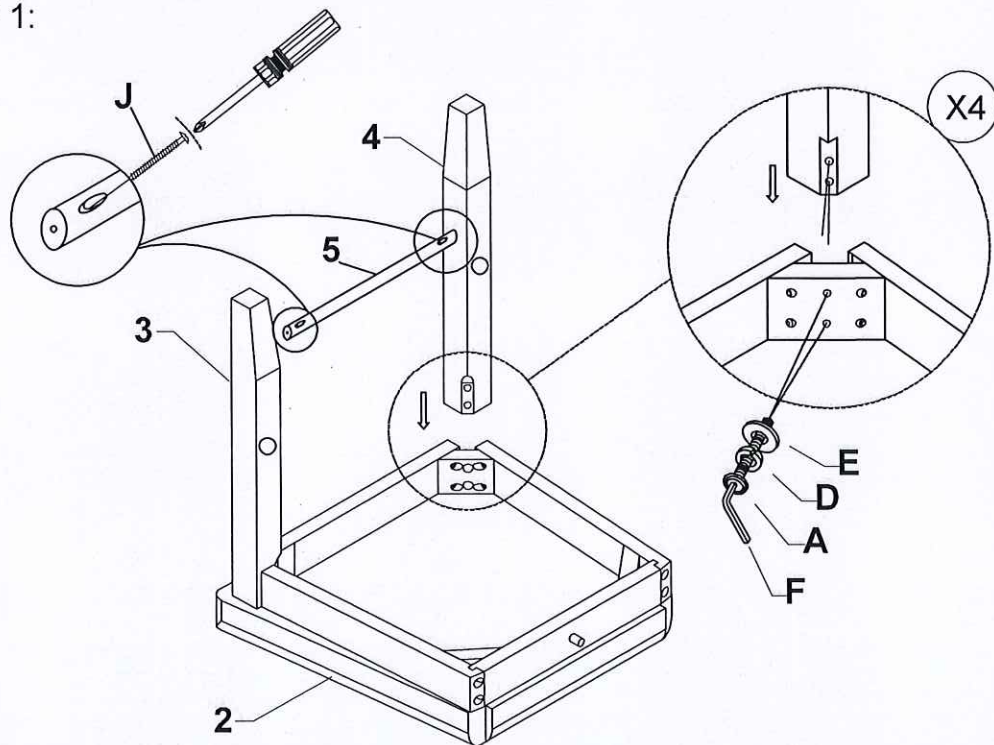
- ** PLACE ALL PARTS ON A CLEAN AND SMOOTH SURFACE SUCH AS A RUG OR CARPET TO AVOID THE PARTS FROM BEING SCRATCHED.
- ** BEFORE YOU BEGIN, KINDLY FOLLOW THE ASSEMBLY INSTRUCTIONS STEP BY STEP.
- **DO NOT TIGHTEN ALL SCREWS AND BOLTS UNTIL THE CHAIR IS FULLY SET-UP.



CARTONS ONLY ONE/ CARTONS SEULEMENT UN							
PART LISTS			HARDWARE LISTS				
NO.	DESCRIPTION	SKETCH	Q'TY	NO.	DESCRIPTION	SKETCH	Q'TY
1	CHAIR BACK		4 PCS	A	BOLT Ø1/4" x 60mmL		16 PCS
2	SEAT FRAME		4 PCS	B	BOLT Ø1/4" x 80mmL		16 PCS
3	FRONT LEG L		4 PCS	C	BOLT Ø1/4" x 35mmL		4 PCS
4	FRONT LEG R		4 PCS	D	SPRING WASHER Ø1/4" x 13mmL		32 PCS
5	FRONT STRECHER		4 PCS	E	FLAT WASHER Ø1/4" x 19mmL		32 PCS
6	SIDE STRECHER		8 PCS	F	ALLEN KEY		1 PCS
				J	CREW Ø4 x 38mmL		24 PCS

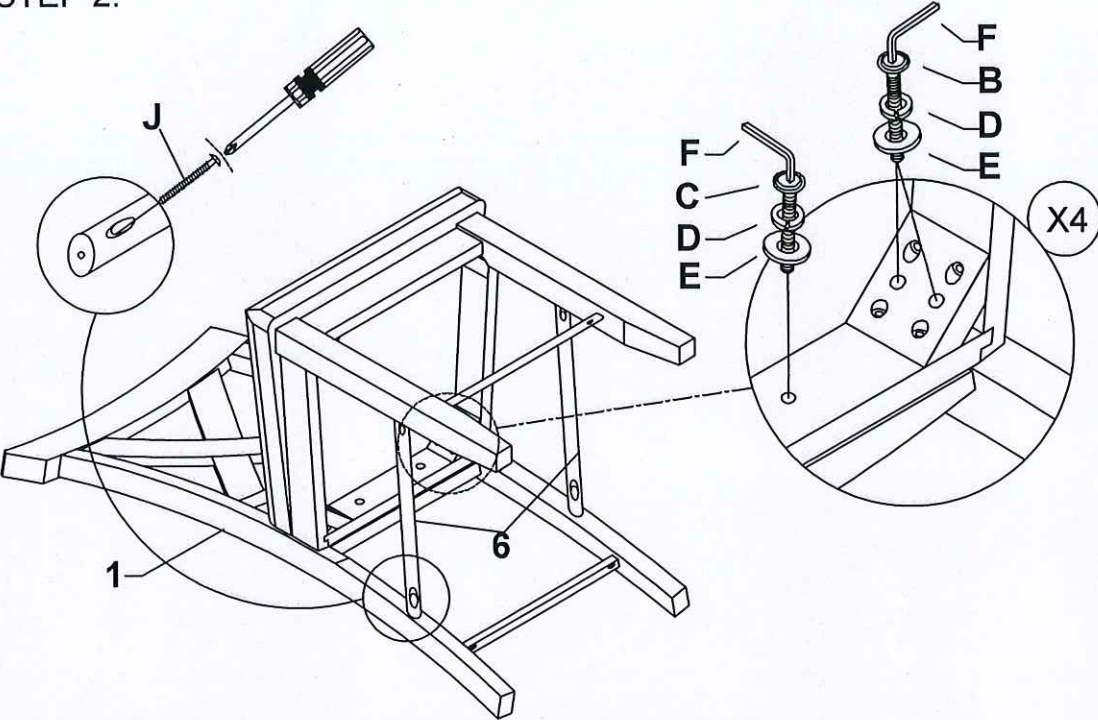
ASSEMBLY INSTRUCTIONS

STEP 1:



ASSEMBLY INSTRUCTIONS

STEP 2:



STEP 3:

