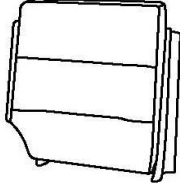
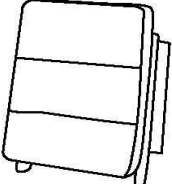
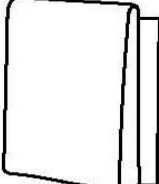
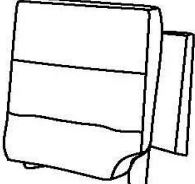
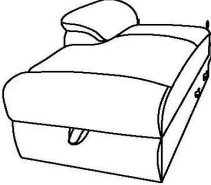
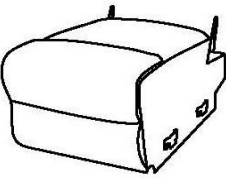
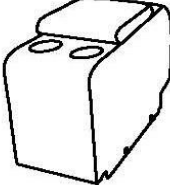
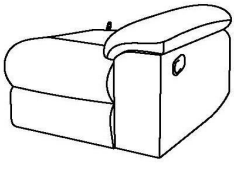
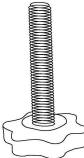
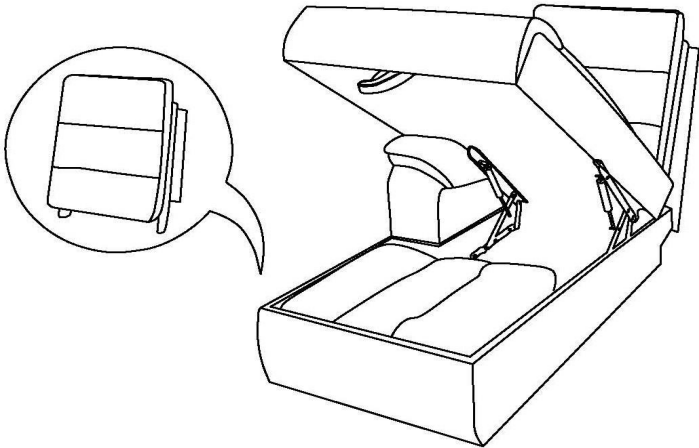


# ASSEMBLY INSTRUCTIONS

## PARTS LIST:

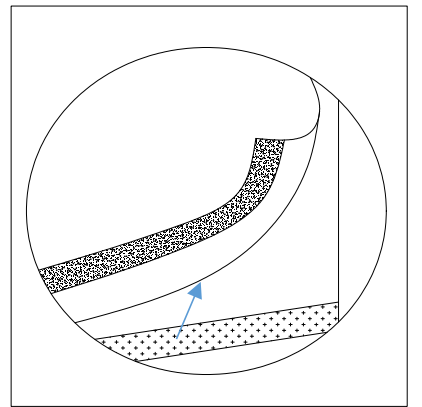
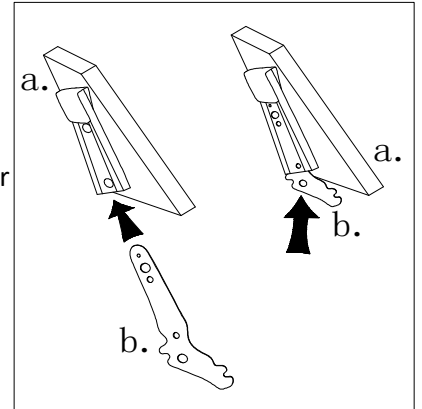
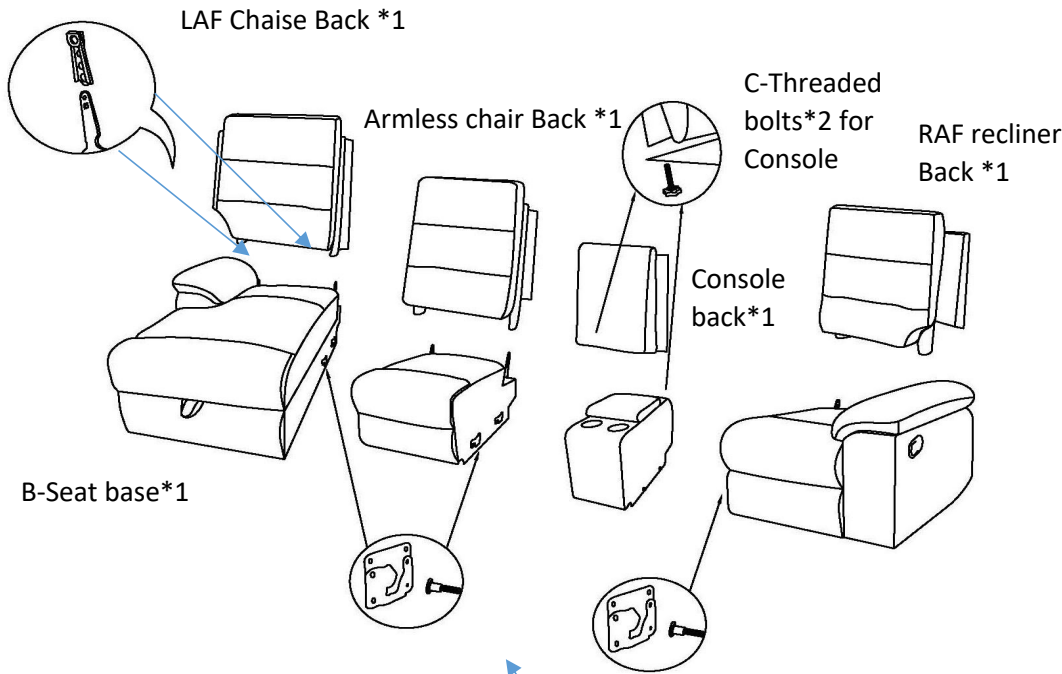
	LAF Chaise		Armless Chair		Console		RAF recliner	
A-Back		1PCS		1PCS		1PCS		1PCS
B-Seat Base		1PCS		1PCS		1PCS		1PCS
C-Threaded Bolts						2PCS		

Step 1: Open the seat frame of the chaise, take out the Armless chair back.



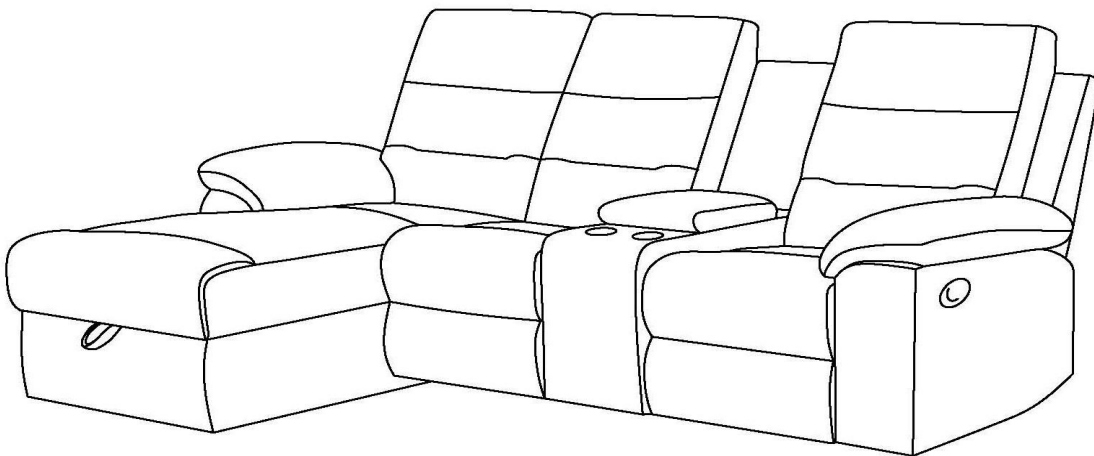
Step 2: Attached the KD back to the base frame by agligning the mechanism receivers with the mechanism post as seen at the RIGHT.After agligning both sides,push firmly in a downward motion until yo hear a clicking noise.The noise indicates the back is locked to the base frame.Please make sure both sides are locked in position.Attached the outside back along the bottom rear of the base frame with the pre attached velcro.

\*\*\*\* Insert the 2 threaded bolts w/nuts from the console body to screw up the console back,then tighten to make sure the console back is fixed well. Be careful not to over tighten.



Connect each product well by the metal connector which fixed at the side of product.

Your product will look similar to this when assembly is complete



Caution: Read the Operating Instruction supplied before operating your power mechanized equipment. Do not allow children to play on or operate this power mechanized equipment