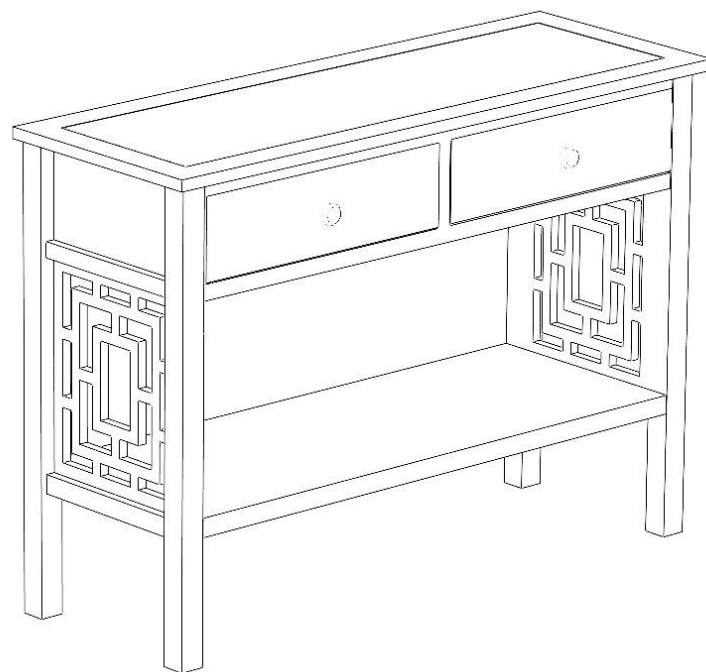
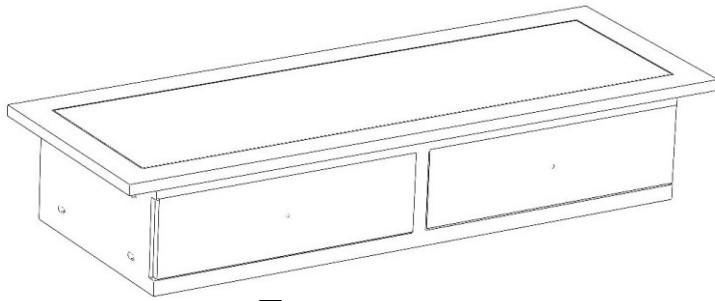


# ASSEMBLY INSTRUCTION

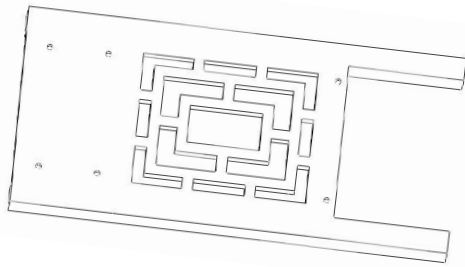
WF289087



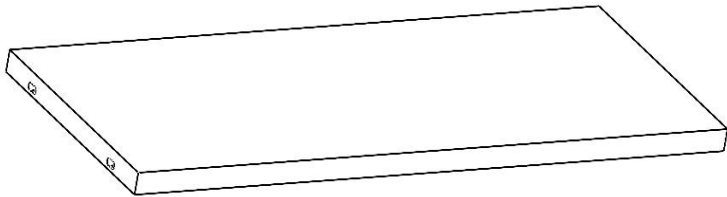
## PART LIST



- A** Top component  
Q.Ty: 1 pc



- B** Side component  
Q.Ty: 2 pcs

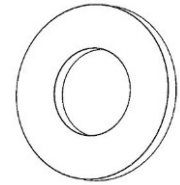


- C** Bottom component  
Q.Ty: 1 pc

## HARDWARE LIST



- 1** 6x30 mm  
Q.Ty: 12 pcs



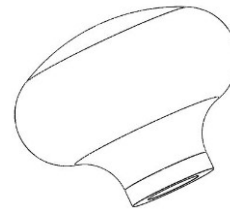
- 2** 6x16 mm  
Q.Ty: 12 pcs



- 3** 6mm  
Q.Ty: 12 pcs





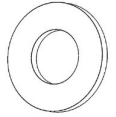
- 4** 4x25 mm  
Q.Ty: 2 pcs



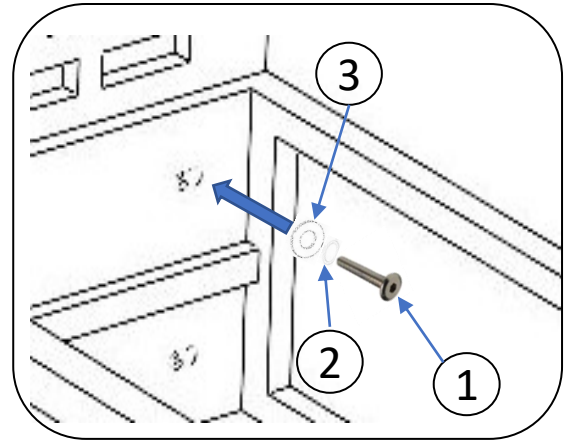
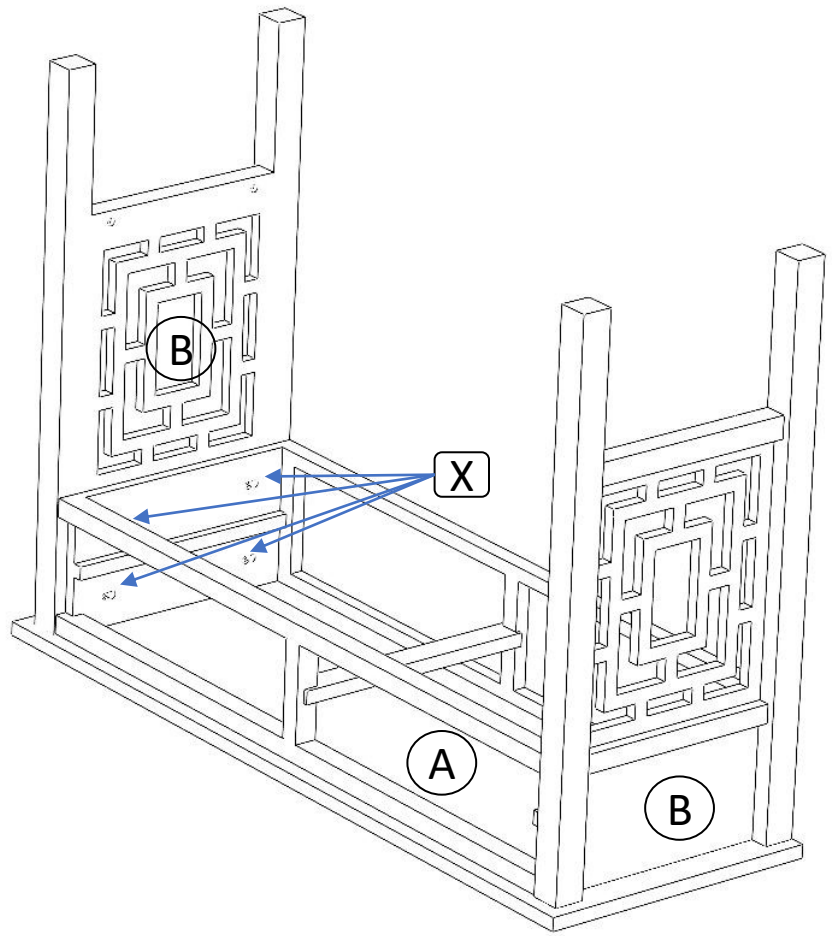
- 5** Q.Ty: 2 pcs





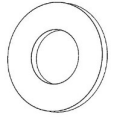
- 6** Q.Ty: 1 pc

<p>①</p> 	<p>②</p> 	<p>③</p> 
<p>Q.Ty: 8 pcs</p>	<p>Q.Ty: 8 pcs</p>	<p>Q.Ty: 8 pcs</p>

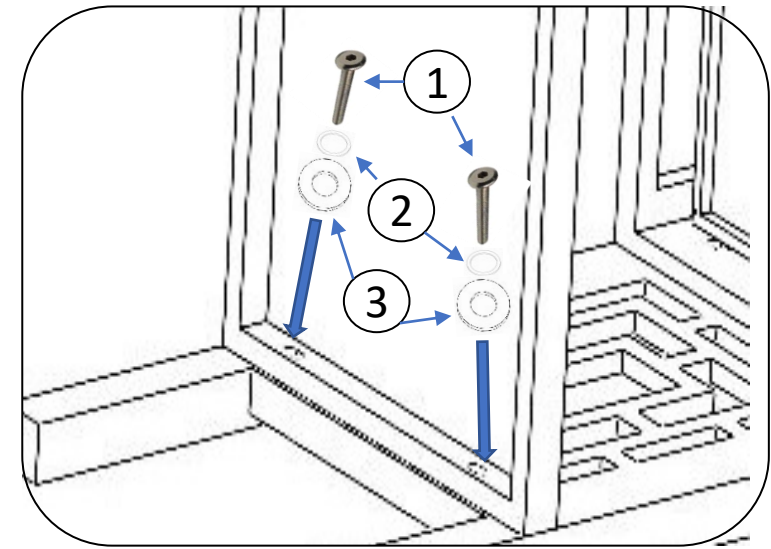
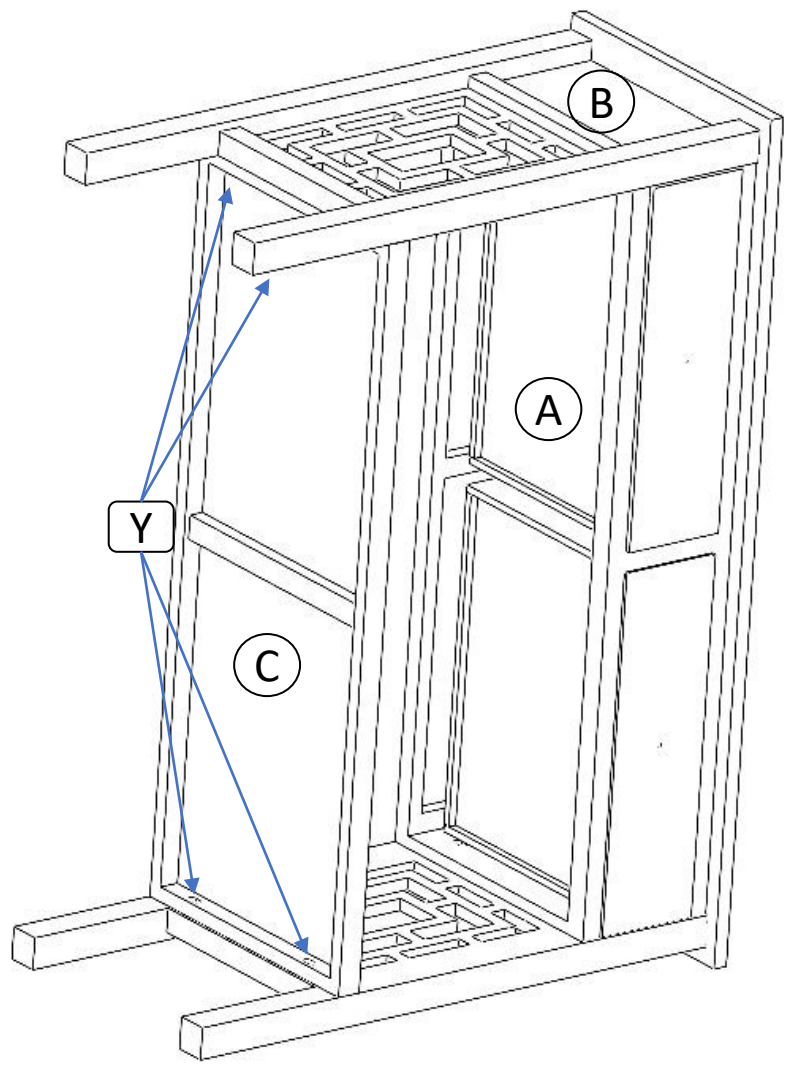
**STEP 1**



**DETAIL X**

<p>①</p> 	<p>②</p> 	<p>③</p> 
<p>Q.Ty: 4 pcs</p>	<p>Q.Ty: 4 pcs</p>	<p>Q.Ty: 4 pcs</p>

**STEP 2**



**DETAIL Y**

4



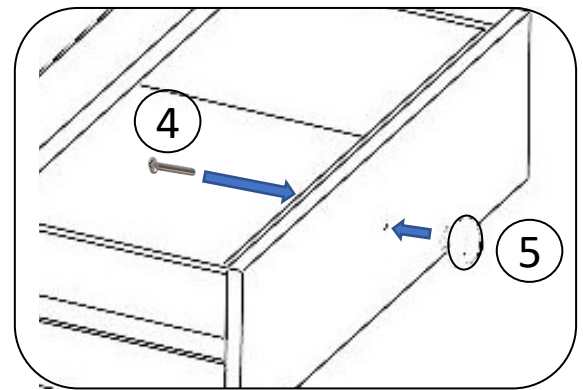
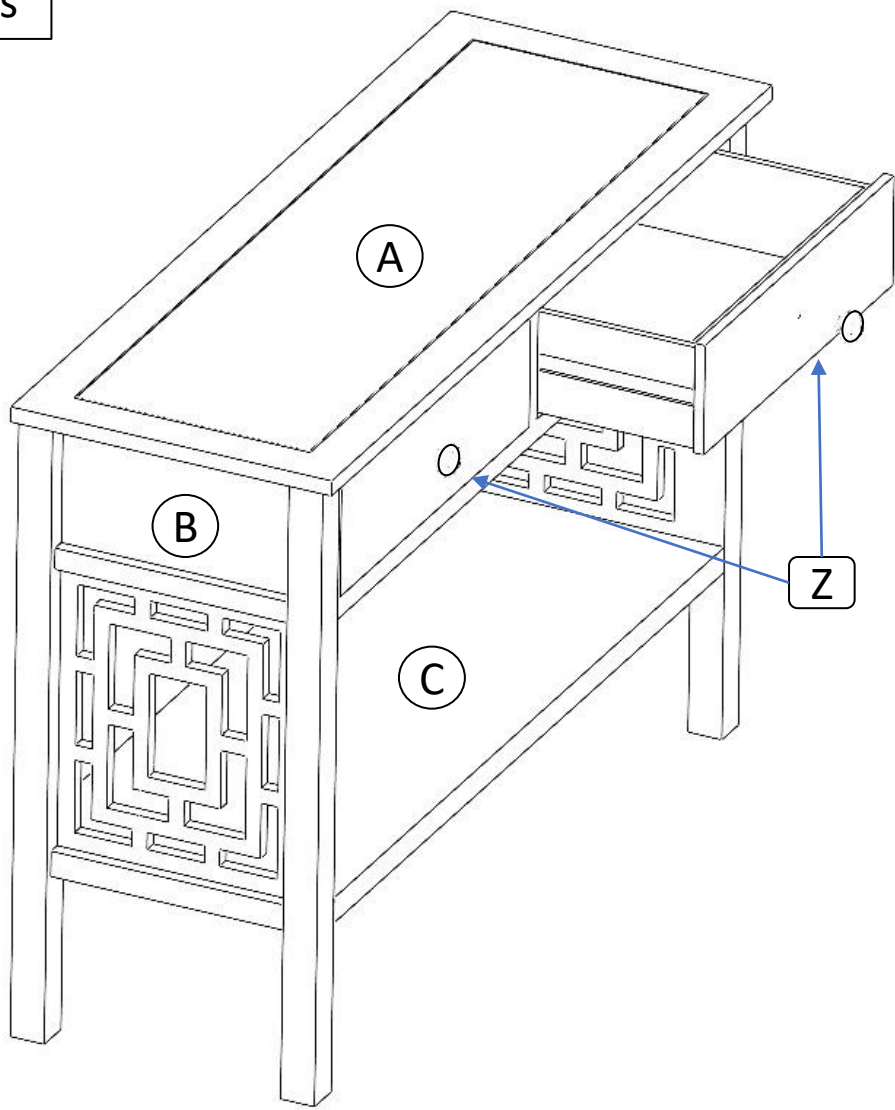
Q.Ty: 2 pcs

5



Q.Ty: 2 pcs

### STEP 3



DETAIL Z