


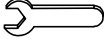

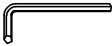





# ASSEMBLY INSTRUCTIONS

## WF287828/WF287829


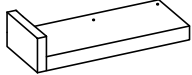




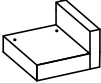

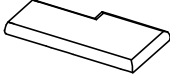

### HARDWARE OF WF287828

NO	DESCRIPTION	SKETCH	SIZE	QTY
①	Thread Bolt		1/4 x 80 mm	5 Pcs
②	Flat Washer		1/4 x 22 x 2	29 Pcs
③	Hexnut		1/4 x 10 mm	5 Pcs
④	Wrench		10 x 90	1 Pc
⑤	Bolt		1/4 x 30 mm	24 Pcs
⑥	Allen Key		1/4	1 Pc



### HARDWARE OF WF287829

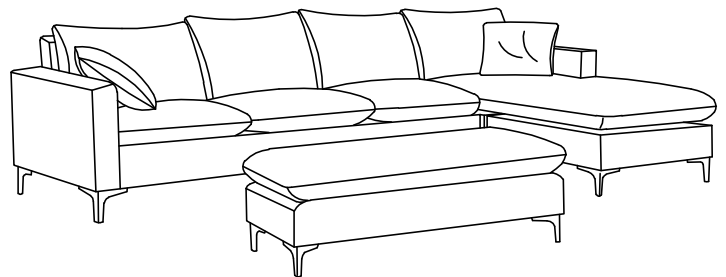
NO	DESCRIPTION	SKETCH	SIZE	QTY
②	Flat Washer		1/4 x 22 x 2	8 Pcs
⑤	Bolt		1/4 x 30 mm	8 Pcs
⑥	Allen Key		1/4	1 Pc

### PARTS LIST OF WF287828

NO	DESCRIPTION	DRAWING	QTY
①A1	Backrest		1 Pc
①A2	Frame		1 Pc
①A3	Seat Cushion		3 Pcs
①A4	Big Fillow		4 Pcs
①A5	Small Fillow		2 Pc
①B1	Backrest		1 Pc
①B2	Frame		1 Pc
①B3	Frame		1 Pc
①B4	Seat Cushion		1 Pc
①E	Leg		12 Pcs

### PARTS LIST OF WF287829

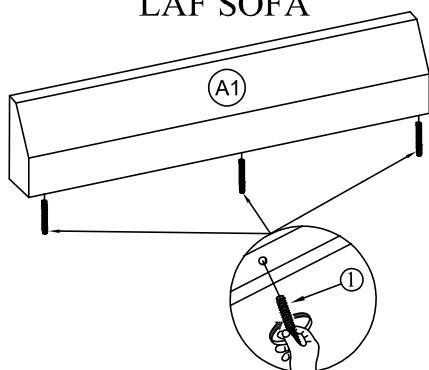
NO	DESCRIPTION	DRAWING	QTY
①C	Frame OT		1 Pc
①E	Leg		4 Pcs



### ASSEMBLY INSTRUCTIONS

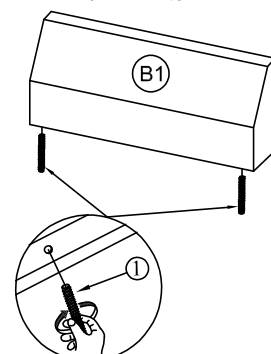
#### STEP 1

#### LAF SOFA

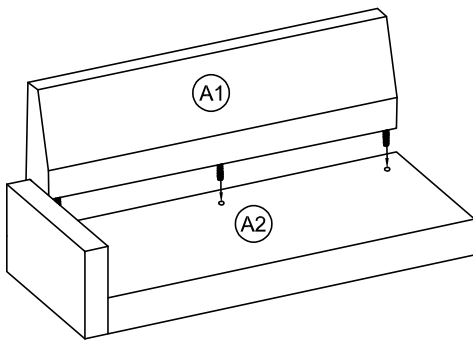


#### STEP 1

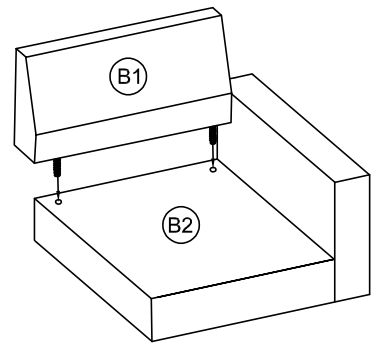
#### CHAISE



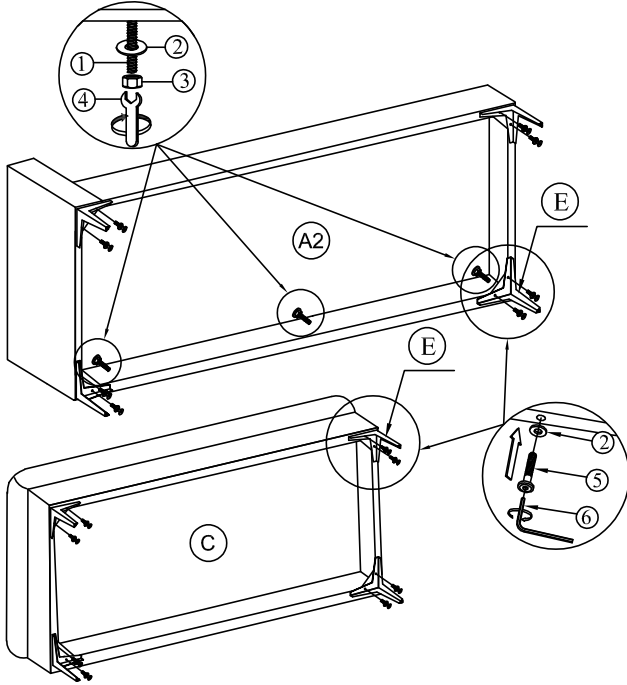
**STEP 2**



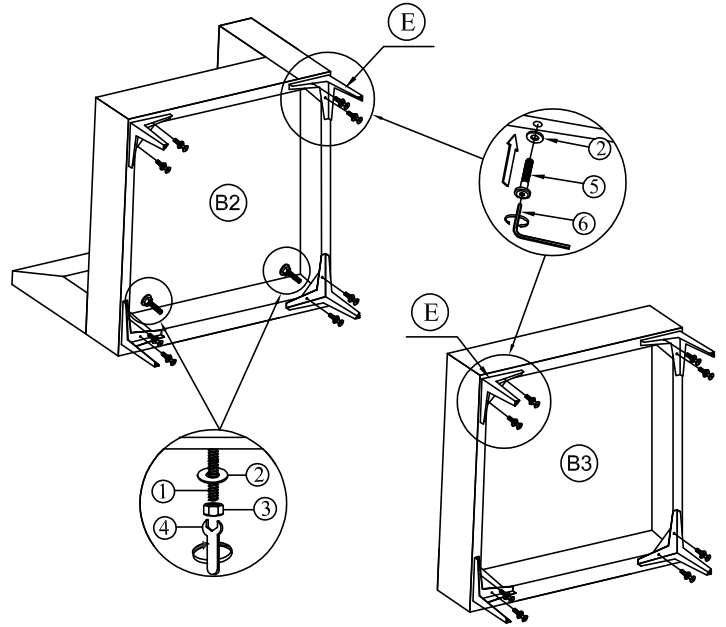
**STEP 2**



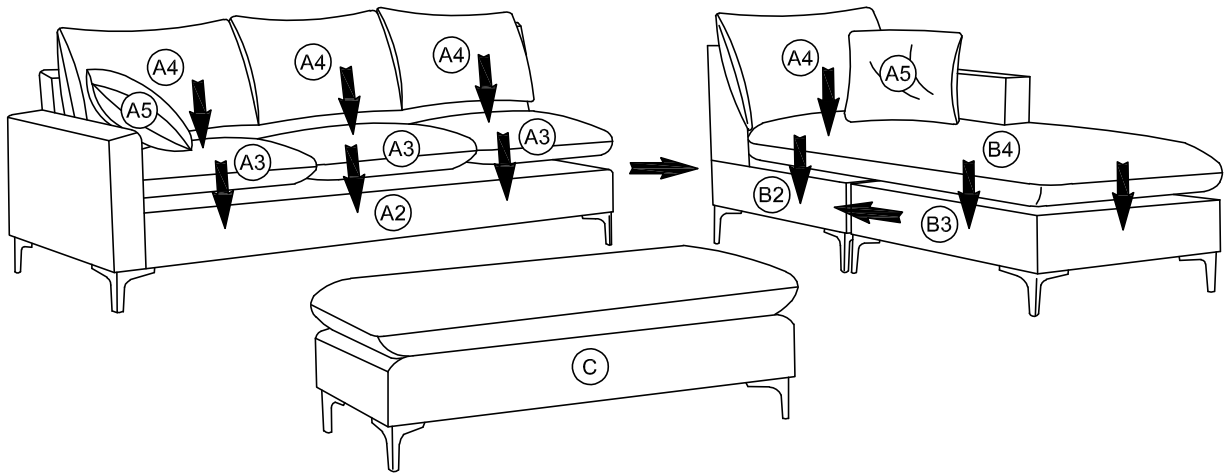
**STEP 3**



**STEP 3**



**STEP 4**



**STEP 5**

**COMPLETE**

