

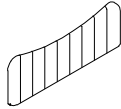


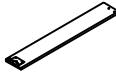




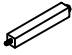
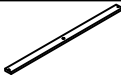
ASSEMBLY INSTRUCTION

Item No : WF293440 / WF293448

Description : QUEEN BED / FULL BED

Thank you for purchasing this quality product. Be sure to check all packing material carefully for small part that may have come loose inside the carton during shipment









PART LIST :

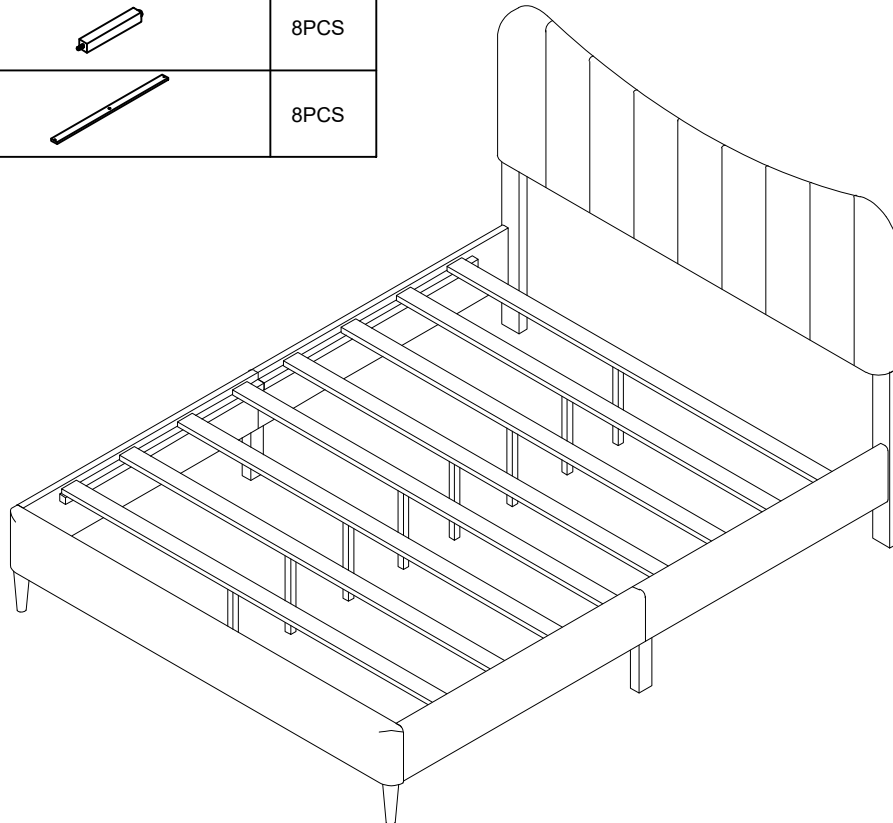
No.	Description	Sketch	Quantity
A	Headboard		1PC
B	Footboard		1PC
C	Side Rail C		2PCS
D	Side Rail D		2PCS
E	Support Rail		4PCS
F	Leg Headboard L+R		2PCS
G	Bunfoot		2PCS
H	Side Rail Support Leg		2PCS
I	Slat Support Leg		8PCS
J	Slat		8PCS

TOOLS REQUIRED (Not Provided)



HARDWARE LIST :

No.	Description	Sketch	Size	Quantity
K1	Bolt		$\varnothing \frac{5}{16}$ "x50mmL	4PCS
K2	Bolt		$\varnothing \frac{5}{16}$ "x35mmL	8PCS
L	Bolt		$\varnothing \frac{5}{16}$ "x25mmL	8PCS
M	Bolt		$\varnothing \frac{1}{4}$ "x50mmL	16PCS
N	Spring washer		$\varnothing \frac{5}{16}$ "	20PCS
O	Flat Washer		$\varnothing \frac{5}{16}$ "	20PCS
P	Allen Key		M4	1PC
Q	Screw		$\varnothing 8 \times 1 \frac{1}{4}$ "	16PCS



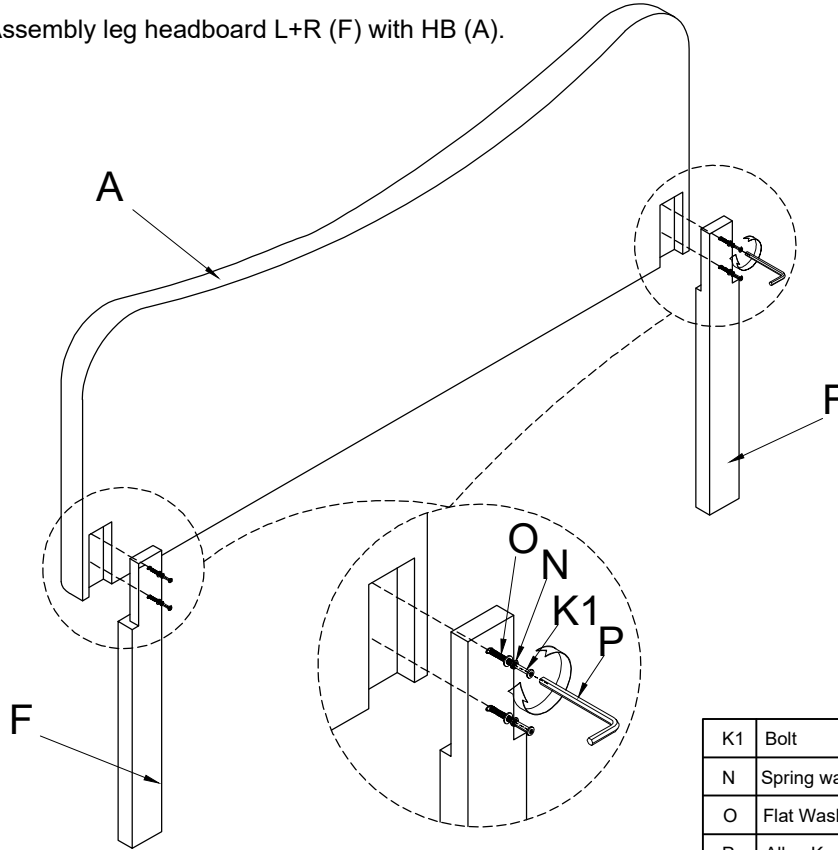
ASSEMBLY INSTRUCTION





Item No : WF293440 / WF293448

Description : QUEEN BED / FULL BED

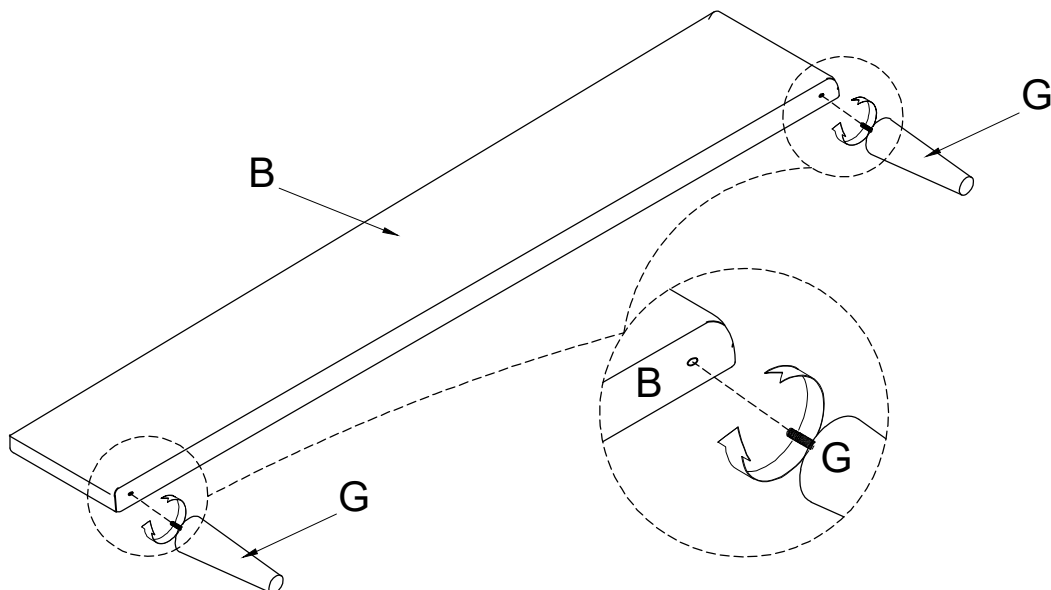
Thank you for purchasing this quality product. Be sure to check all packing material carefully for small part that may have come loose inside the carton during shipment

Step 1 : Assembly leg headboard L+R (F) with HB (A).



K1	Bolt		$\text{Ø} \frac{5}{16} \times 50\text{mmL}$	4PCS
N	Spring washer		$\text{Ø} \frac{5}{16} \text{''}$	4PCS
O	Flat Washer		$\text{Ø} \frac{5}{16} \text{''}$	4PCS
P	Allen Key		M4	1PC

Step 2 : Assembly bunfoot (G) with FB (B).



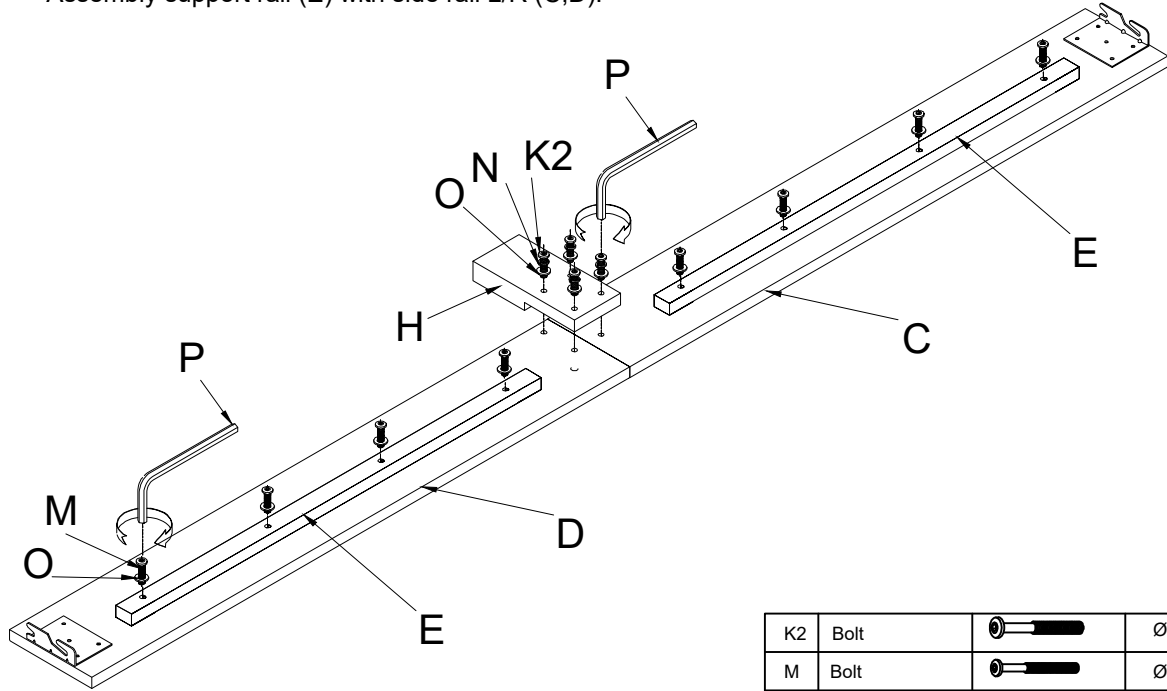
ASSEMBLY INSTRUCTION

Item No : WF293440 / WF293448

Description : QUEEN BED / FULL BED

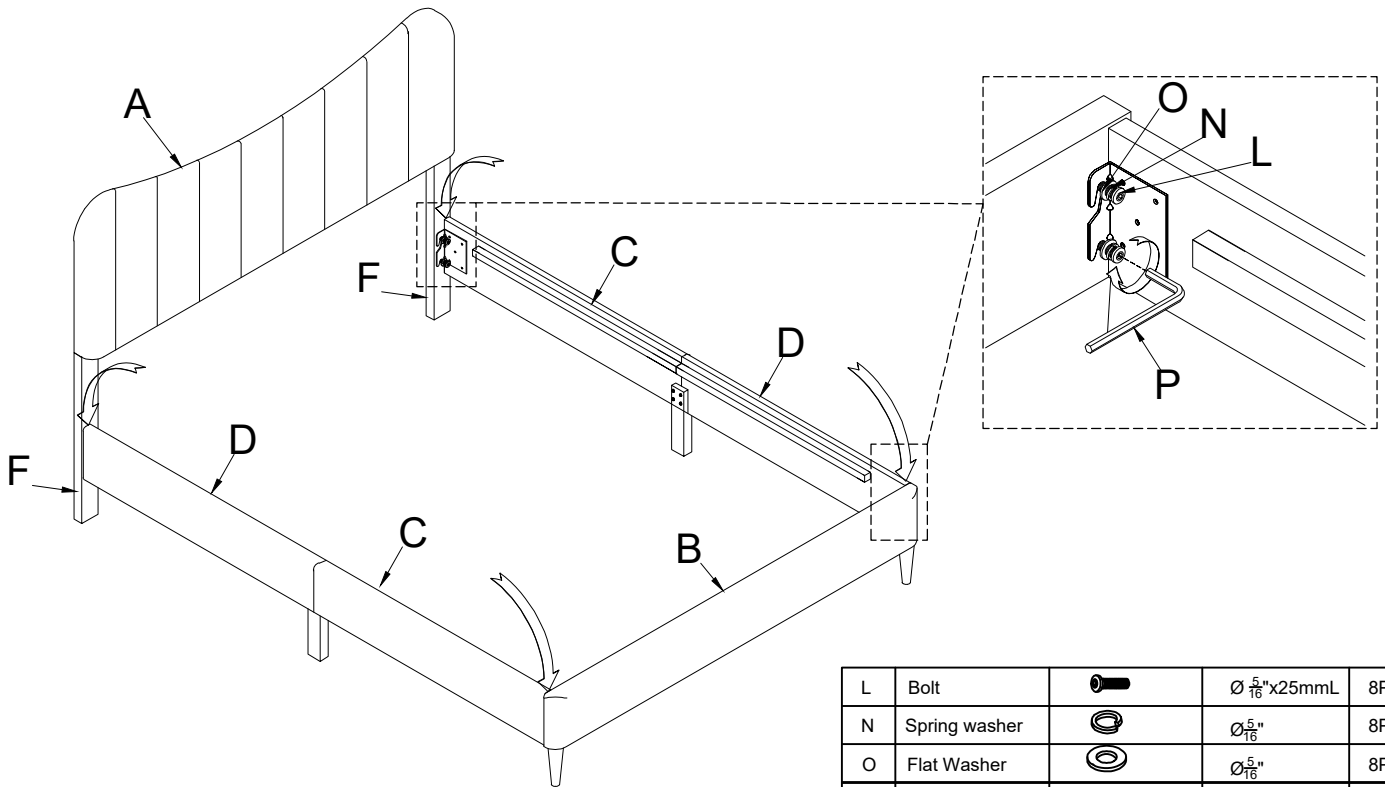
Thank you for purchasing this quality product. Be sure to check all packing material carefully for small part that may have come loose inside the carton during shipment

Step 3 : Assembly side rail support leg (H) with side rail L/R (C;D).
 Assembly support rail (E) with side rail L/R (C;D).



K2	Bolt		$\text{Ø } \frac{5}{16} \text{''} \times 35 \text{mmL}$	8PCS
M	Bolt		$\text{Ø } \frac{1}{4} \text{''} \times 50 \text{mmL}$	16PCS
N	Spring washer		$\text{Ø } \frac{5}{16} \text{''}$	8PCS
O	Flat Washer		$\text{Ø } \frac{5}{16} \text{''}$	8PCS
P	Allen Key		M4	1PC

Step 4 : Assembly rail (C;D) with FB (B) & leg headboard (F).

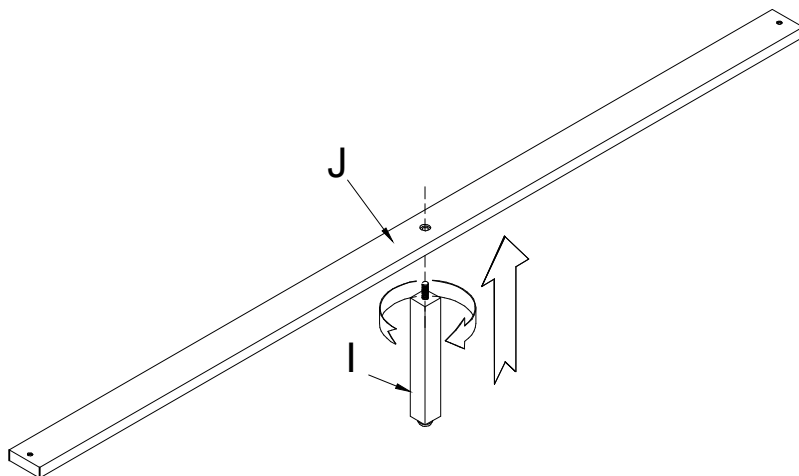


L	Bolt		$\text{Ø } \frac{5}{16} \text{''} \times 25 \text{mmL}$	8PCS
N	Spring washer		$\text{Ø } \frac{5}{16} \text{''}$	8PCS
O	Flat Washer		$\text{Ø } \frac{5}{16} \text{''}$	8PCS
P	Allen Key		M4	1PC

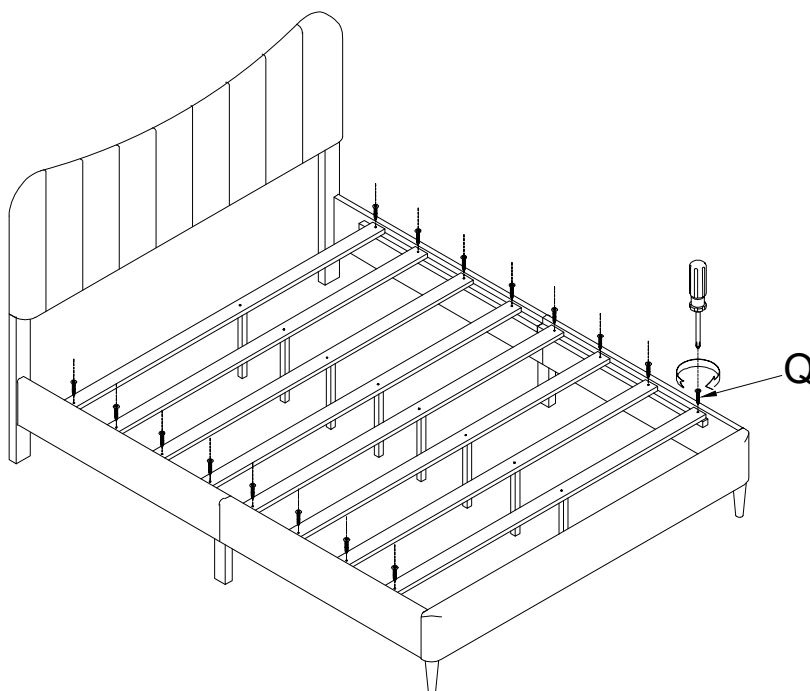
ASSEMBLY INSTRUCTION
Item No : WF293440 / WF293448
Description : QUEEN BED / FULL BED


Thank you for purchasing this quality product. Be sure to check all packing material carefully for small part that may have come loose inside the carton during shipment

Step 5 :Assembly slat support leg (I) with slat (J).



Step 6 :Assembly slat (J) with side rail L/R (C,D).



Q	Screw		Ø8x1- $\frac{1}{4}$ "	16PCS
---	-------	---	-----------------------	-------