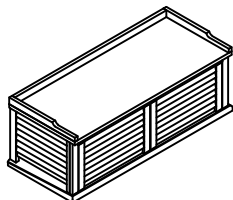
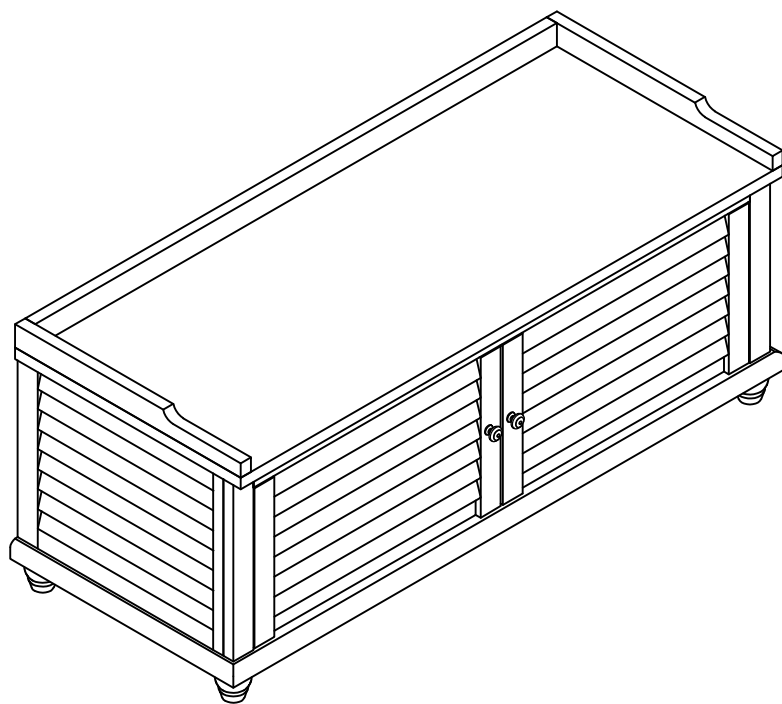
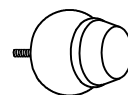


# Assembly Instructions

Style: WF199316

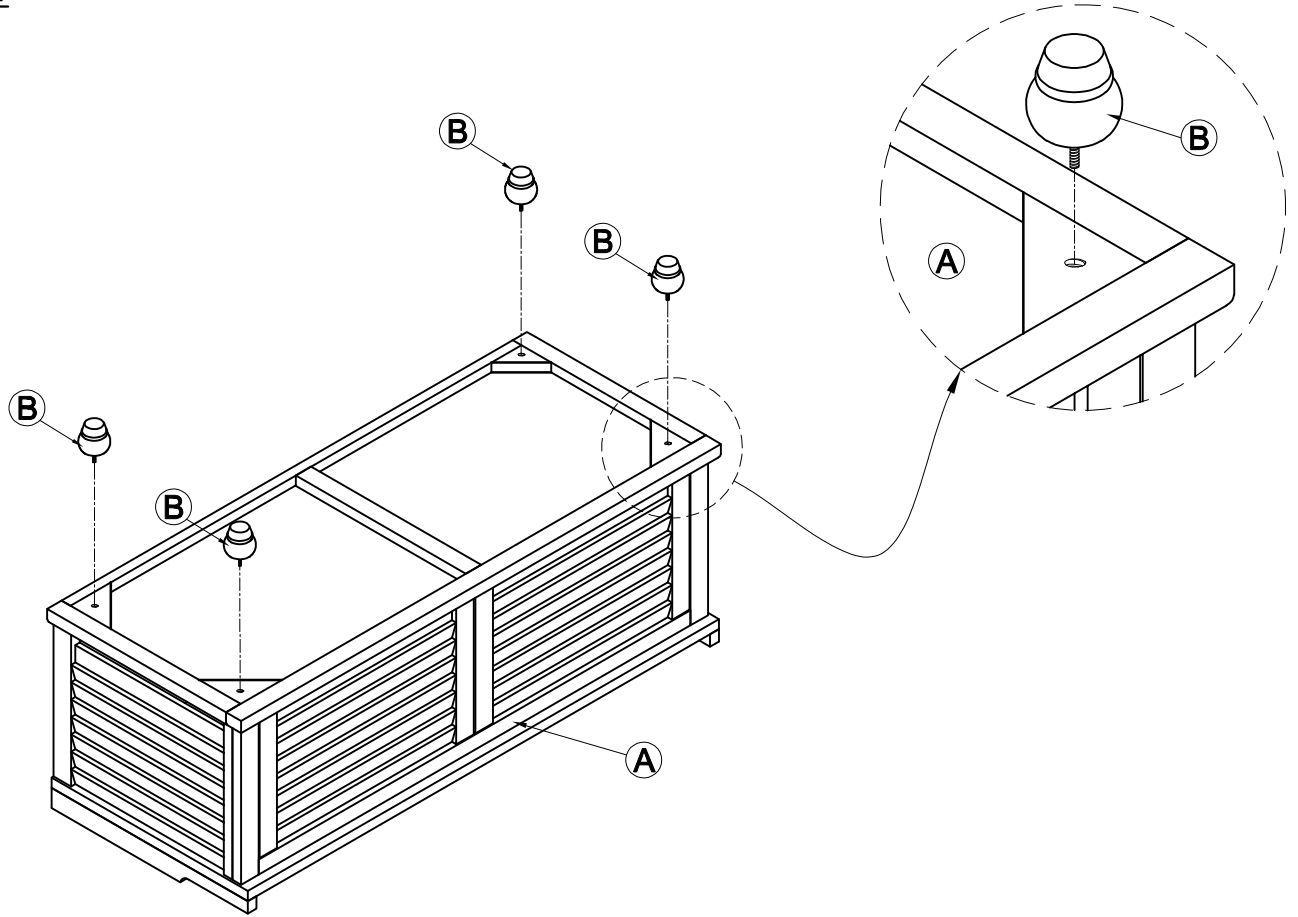


**(A)** : 1PC

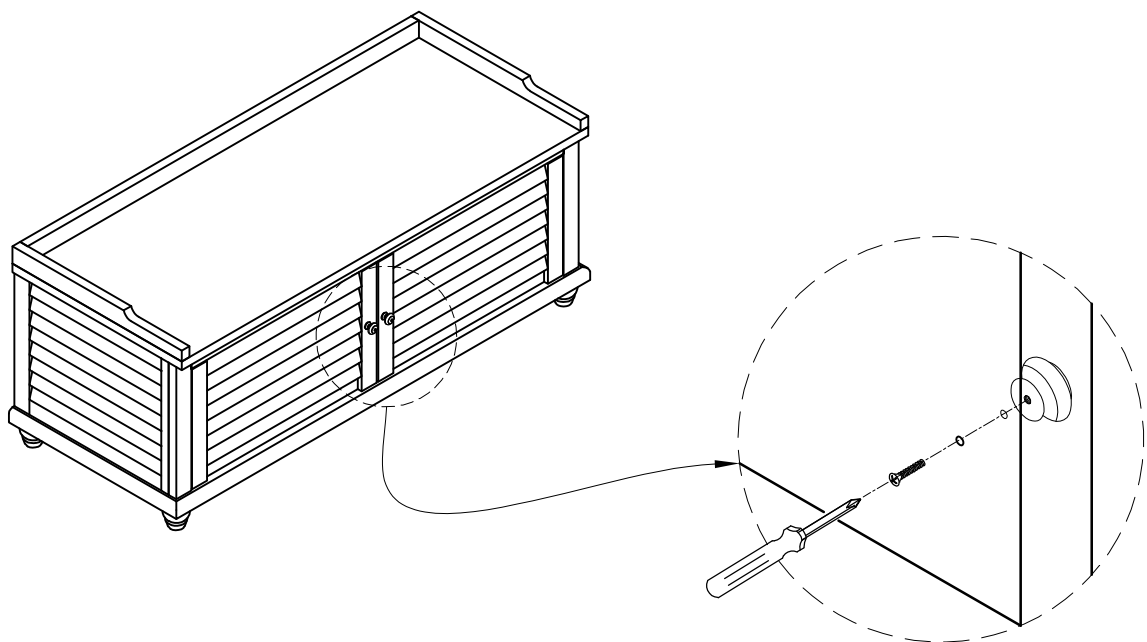


**(B)** : 4PCS

**STEP 1**



**STEP 2**



*Remove handle,  
Pull out front the door*