

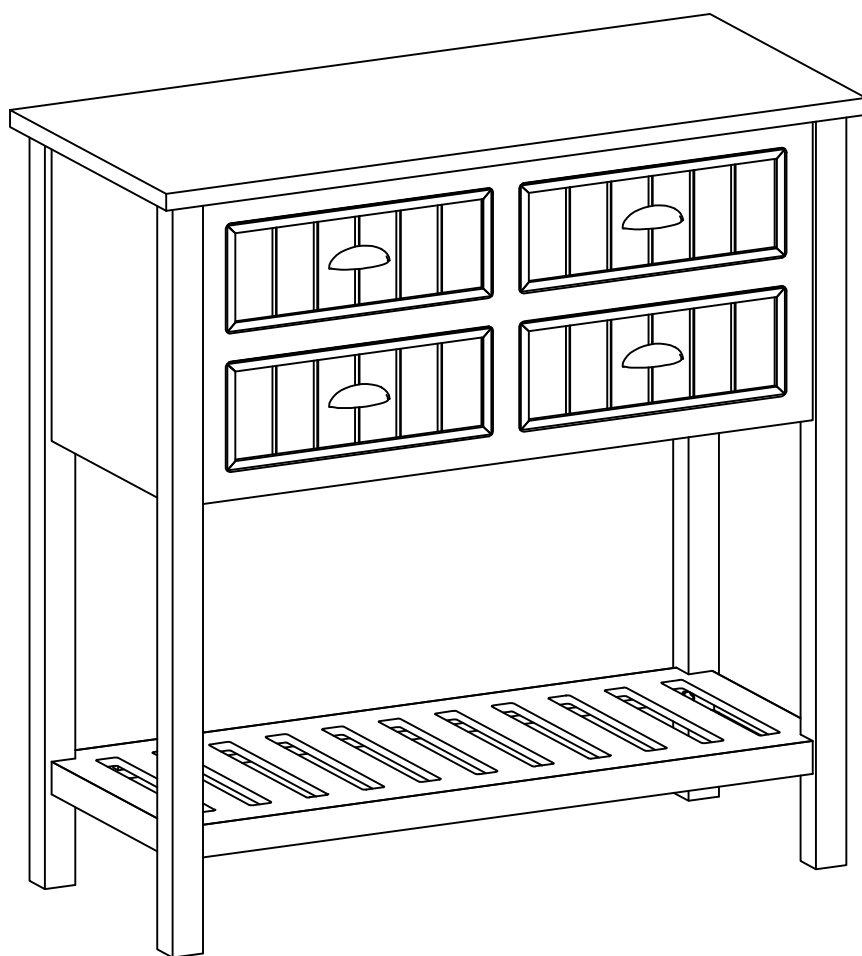
# ASSEMBLY INSTRUCTIONS

## IMPORTANT NOTE

\*\*PLACE ALL PARTS ON A CLEAN AND SMOOTH SURFACE SUCH AS A RUG OR CARPET TO AVOID THE PARTS FROM BEING SCRATCHED

\*\*BEFORE YOU BEGIN, KINDY FOLLOW THE ASSEMBLY INSTRUCTIONS STEP BY STEP

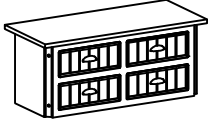

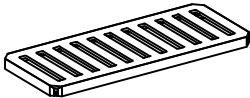
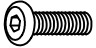
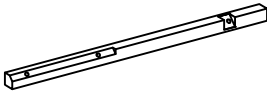
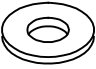

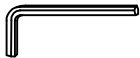
\*\*DO NOT TIGHTEN ALL SCREWS AND BOLTS UNTIL THE CASES IS FULLY SET-UP



PLEASE DO NOT RETURN PRODUCT TO THE STORE

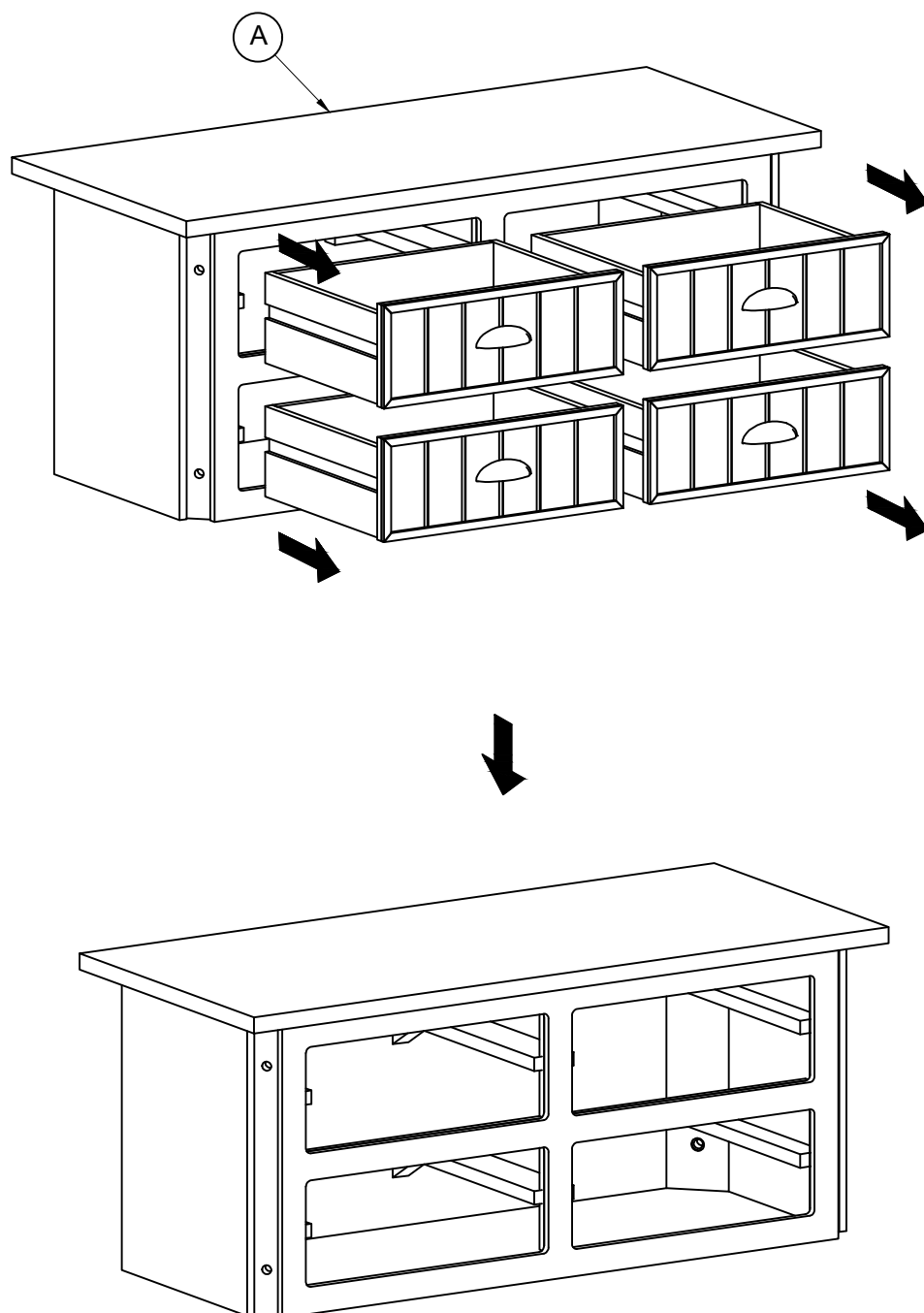
# ASSEMBLY INSTRUCTIONS

## CARTONS ONLY ONE/HARDWARE LISTS

PART LISTS				HARDWARE LISTS			
NO	DESCRIPTION	SKETCH	Q'TY	NO	DESCRIPTION	SKETCH	Q'TY
A	CONSOLE TABLE		1 PC	1	BOLT 1/4*40mm		8 PCS
B	BOTTOM SHELF		1 PC	2	BOLT 1/4*35mm		4 PCS
C	LEGS		4 PCS	3	FLAT WASHER 1*Ø6.5*16mm		12 PCS
				4	SPRING WASHER 1*Ø6.5*11mm		12 PCS
				5	ALLEN KEY		1 PC

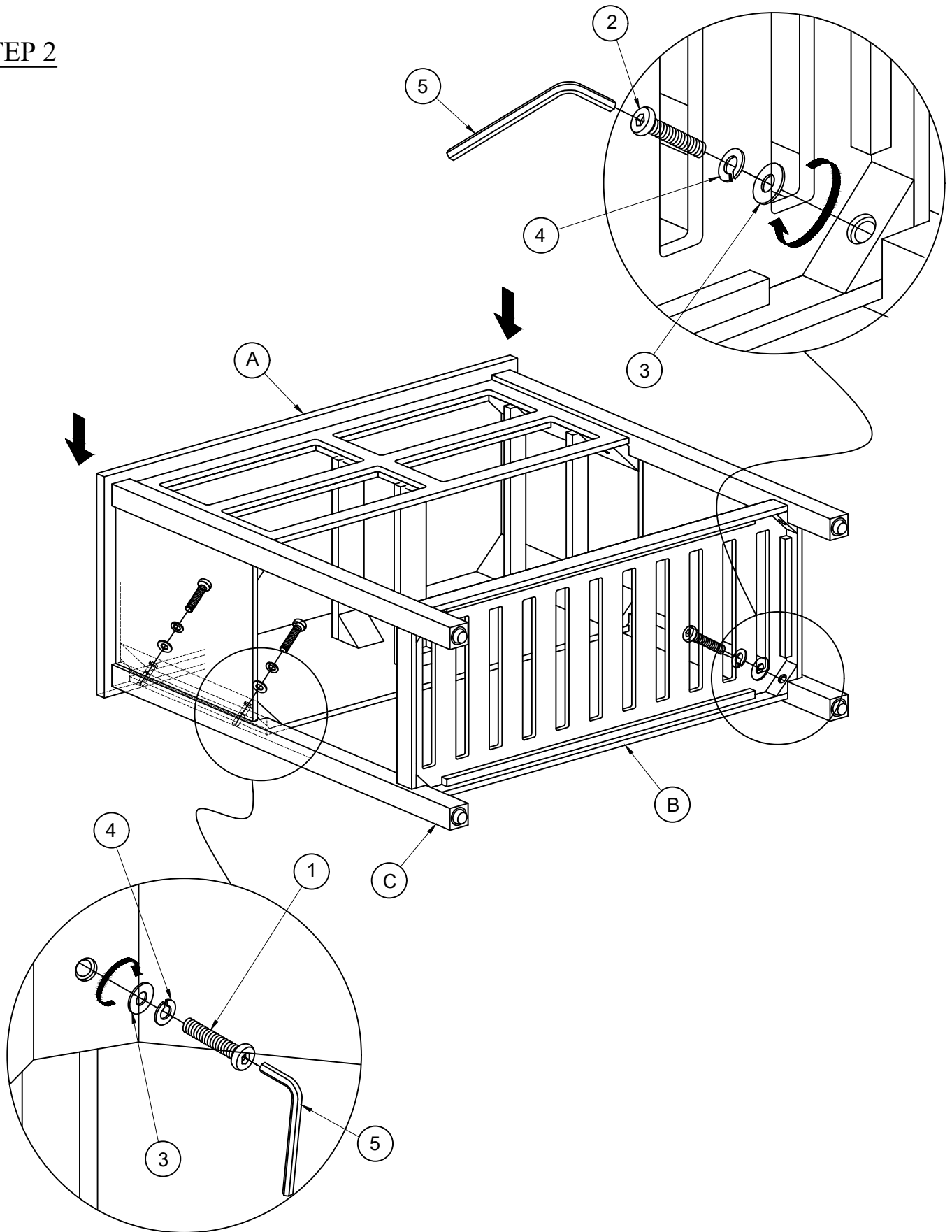
# ASSEMBLY INSTRUCTIONS

## STEP 1



# ASSEMBLY INSTRUCTIONS

## STEP 2



# ASSEMBLY INSTRUCTIONS

## STEP 3

