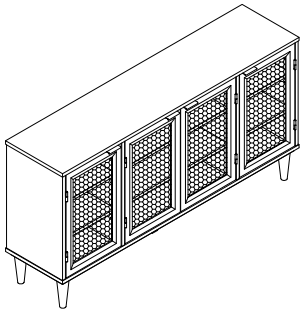


ASSEMBLY INSTRUCTION

ITEM # : WF290899AAP SIDEBOARD

Thank you for purchasing this quality product. Be sure to check all packing material carefully for small parts, which may have come loose inside carton during shipment. Identify and count all parts and compare with the parts list below.



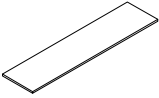
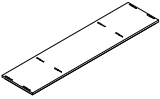
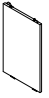
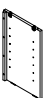
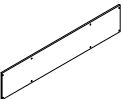
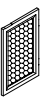
ASSEMBLY INSTRUCTION :

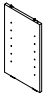
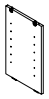
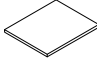
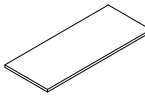


1. Remove hardware from box and sort by size.
2. Please check to see that all hardware and parts are present prior start of assembly.
3. Please follow attached instruction in the same sequence as numbered to assure fast and easy.

WARNING !



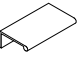

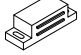
1. Don't attempt to repair or modify parts that are broken or defective. Please contact the store immediately.
2. This product is for home use only and not intended for commercial establishments.
3. Two persons are required for assembly.
4. Approximate assembly time: 1/2 hours
5. Component parts and fittings contained in the box.
Please sort out all parts before you begin to assemble the item.
This is to make sure you always use the correct part
6. It is **STRONGLY RECOMMENDED** that you **ANCHOR** this product.
Toppling furniture can cause serious injuries and death.
This product has not been fitted with an anchor strap.
To prevent your furniture from tipping forward it is strongly recommended that you securely attach this product to a wall or other solid surface, using the anchor straps provided and appropriate fixings.


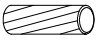
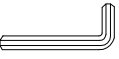

PART LIST :

NO.	COMPONENT	Q'TY
(A)	 Top Panel	1
(B)	 Bottom Panel	1
(C)	 Left Side Panel	1
(D)	 Right Side Panel	1
(E)	 Back Panel	2
(F)	 Door	4

NO.	COMPONENT	Q'TY
(G)	 Divider Panel-Left	1
(H)	 Divider Panel-Right	1
(I)	 Side Shelf	4
(J)	 Mid Shelf	2
(K)	 Legs	4
(L)	 Leg support	1

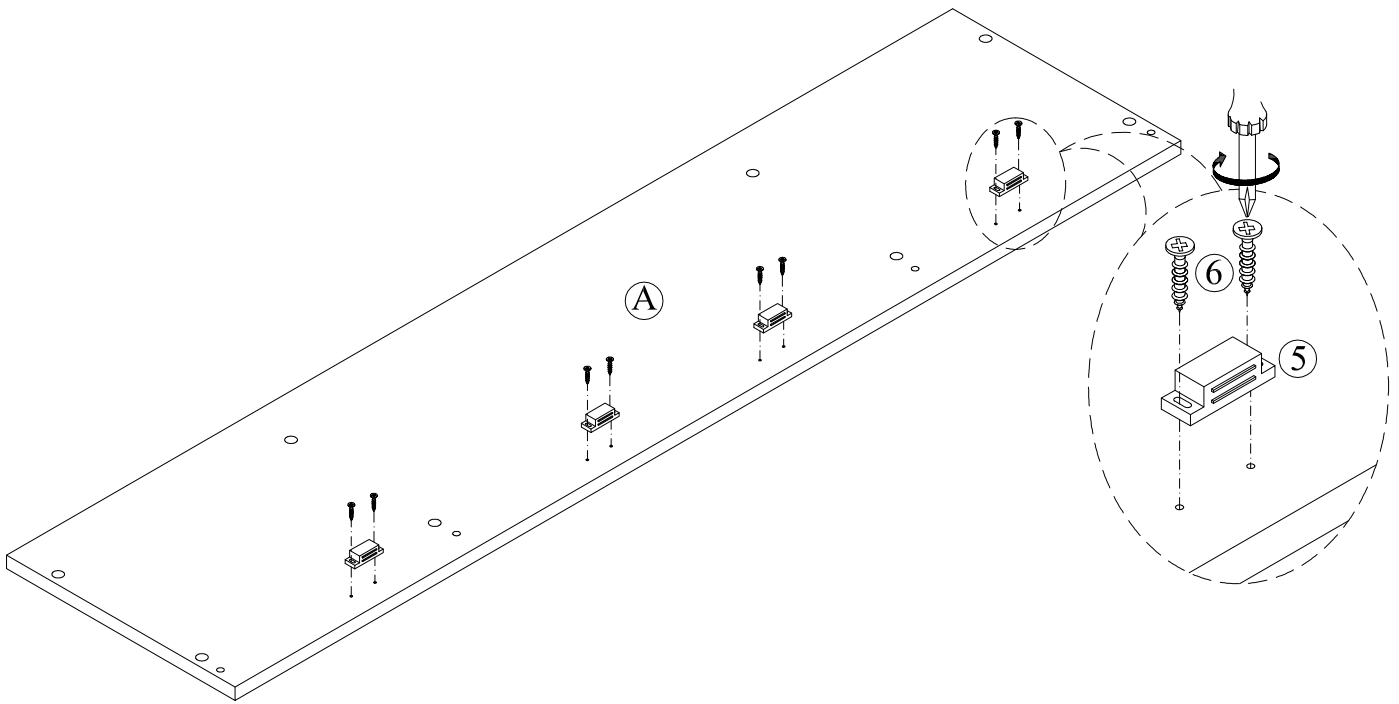
HARDWARE LIST :

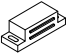

NO.	COMPONENT	Q'TY
(1)	 Bolt Ø1/4"*25mm	16
(2)	 Shelf Support	24
(3)	 Handle	4
(4)	 Handle Screw #3.5*12mm	8
(5)	 Door Caster	4

NO.	COMPONENT	Q'TY
(6)	 Screw #3*15mm	8
(7)	 Wood dowel Ø8*30mm	4
(8)	 Allen Key	1
(9)	 Tipping Restraint Hardware Kit	1

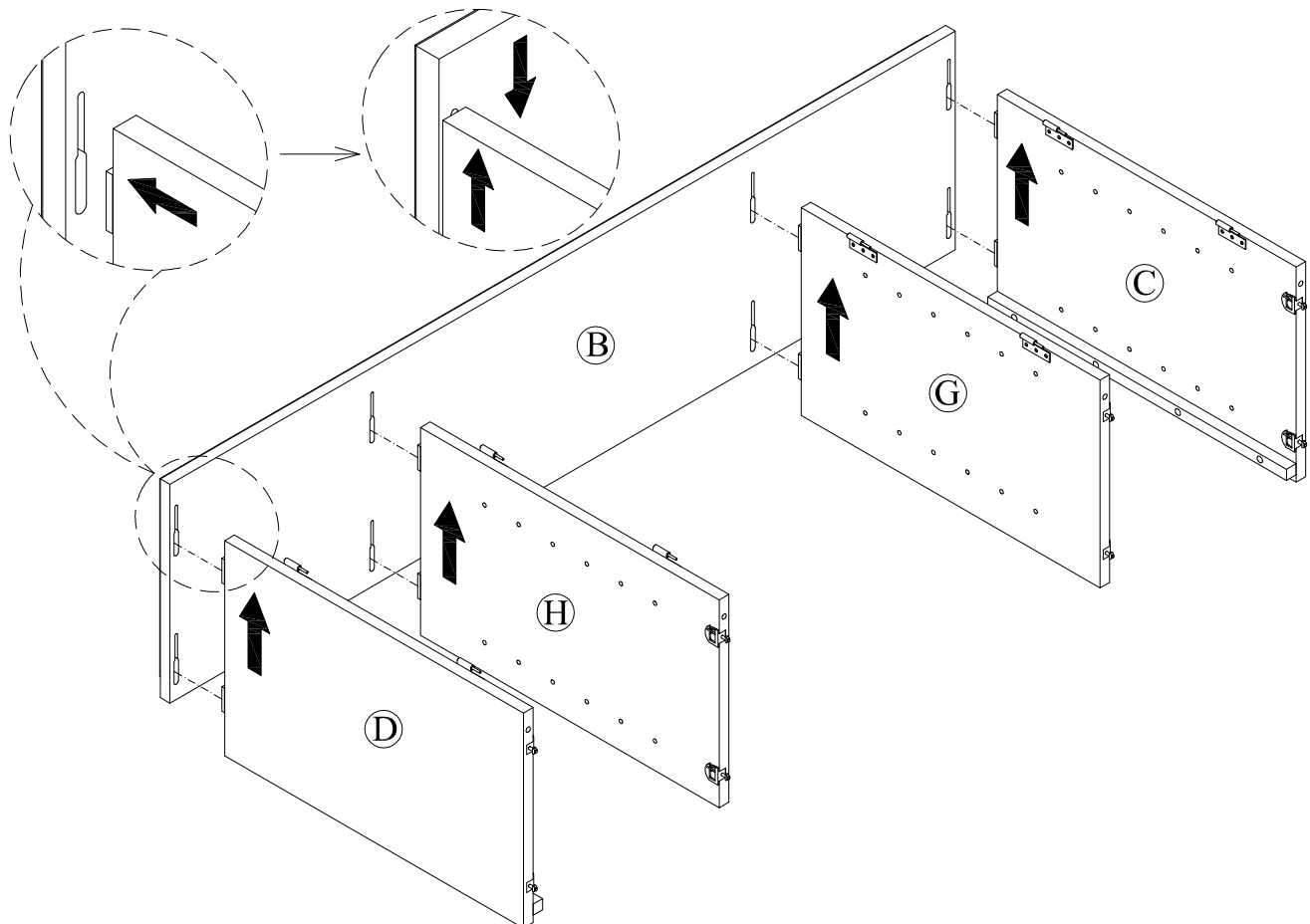
TOOLS NEEDED: Phillips Screwdriver 

Step 1 :

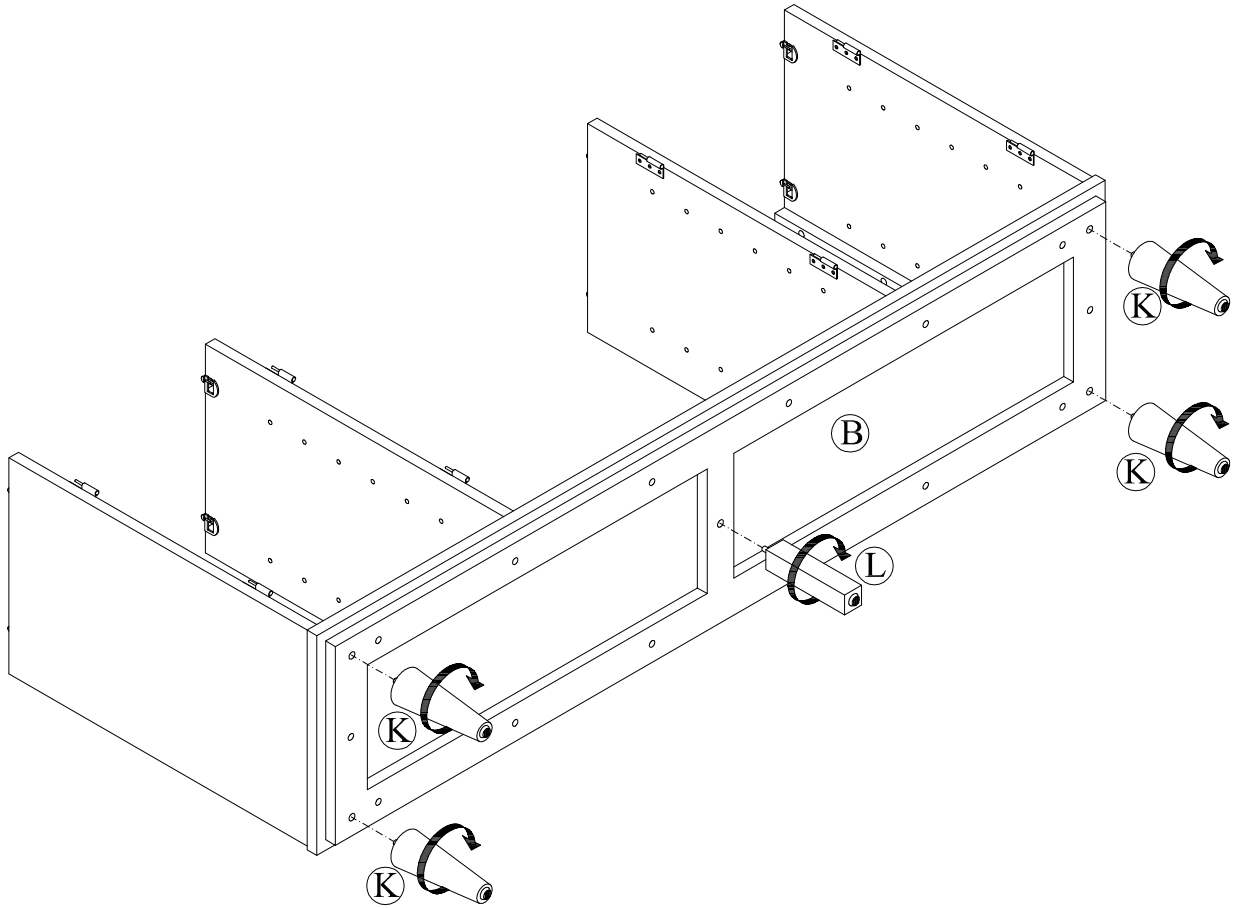


⑤		4
⑥		8

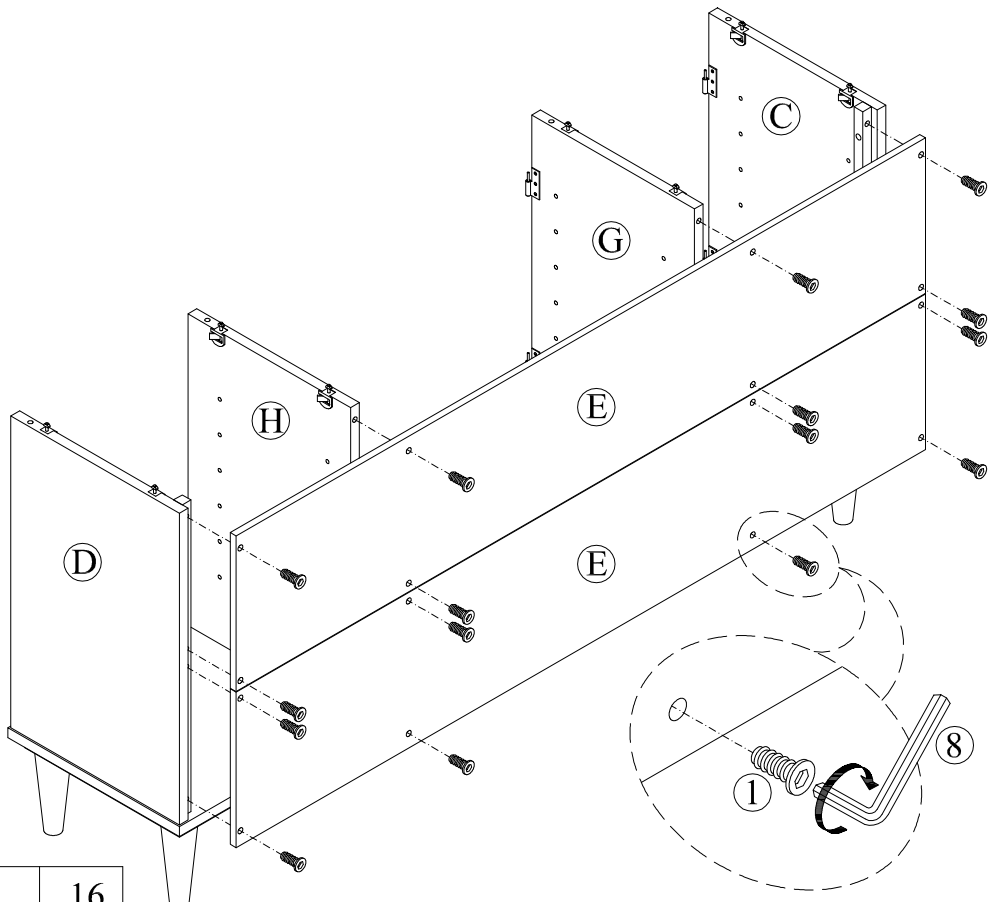
Step 2 :





Step 3 :

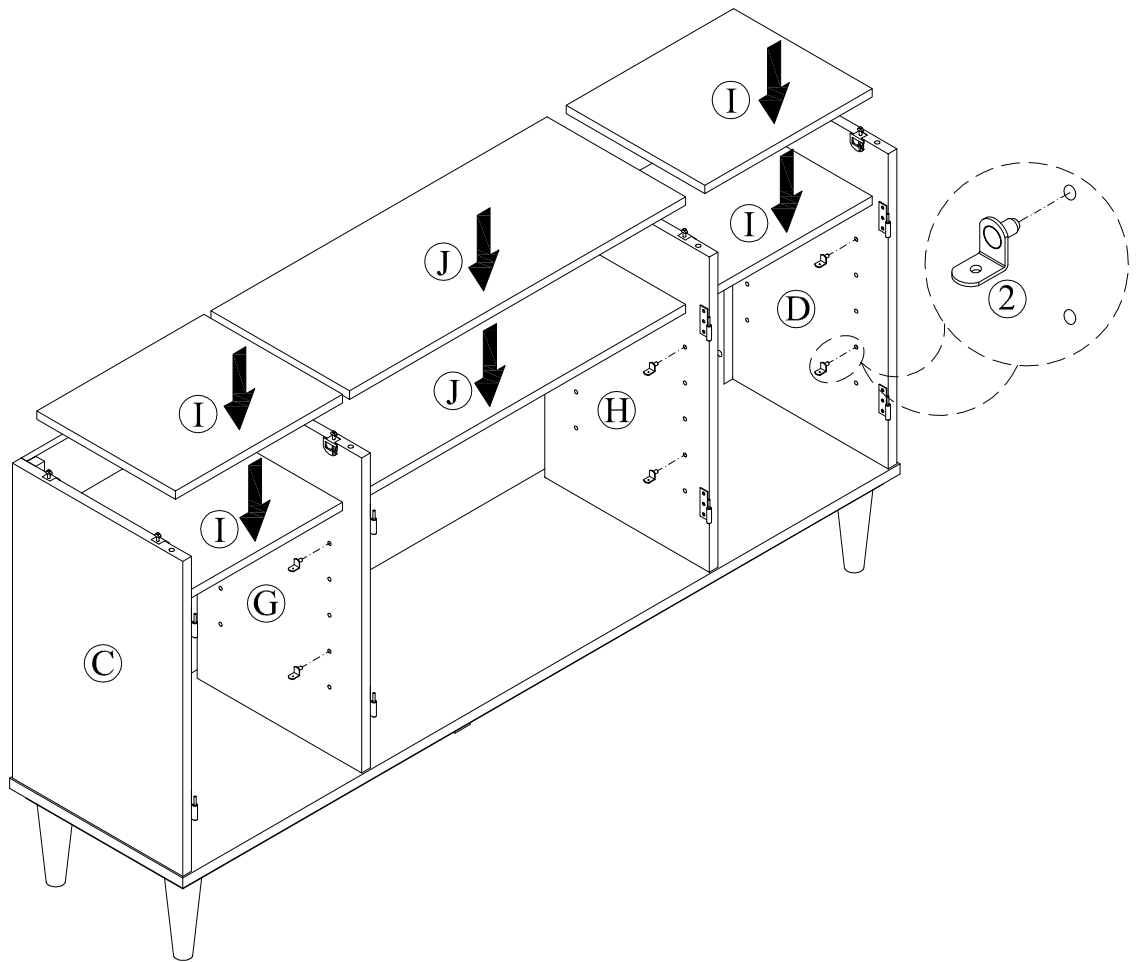


Step 4 :



①		16
⑧		1

Step 5 :

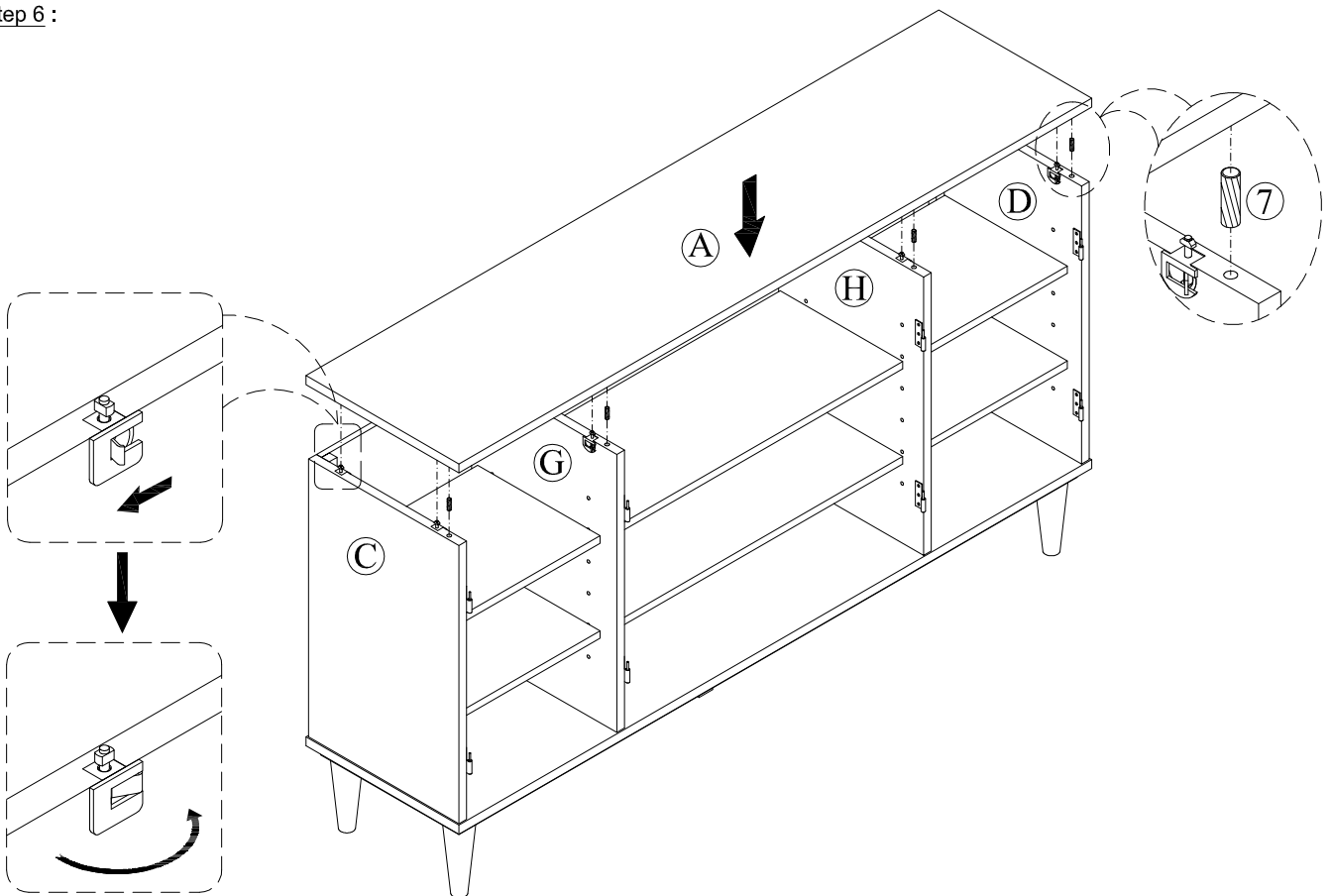


②



24

Step 6 :

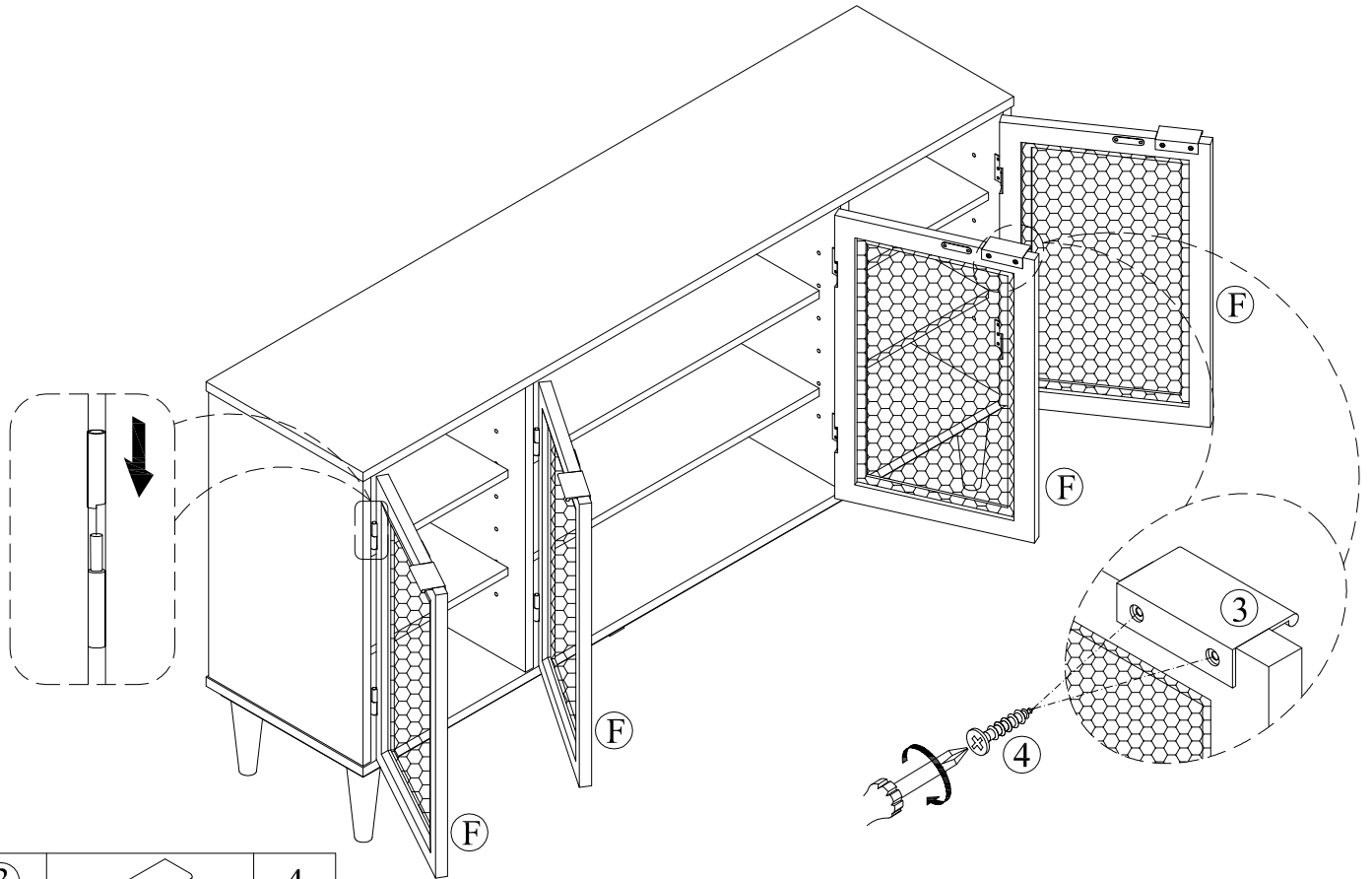


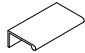

⑦



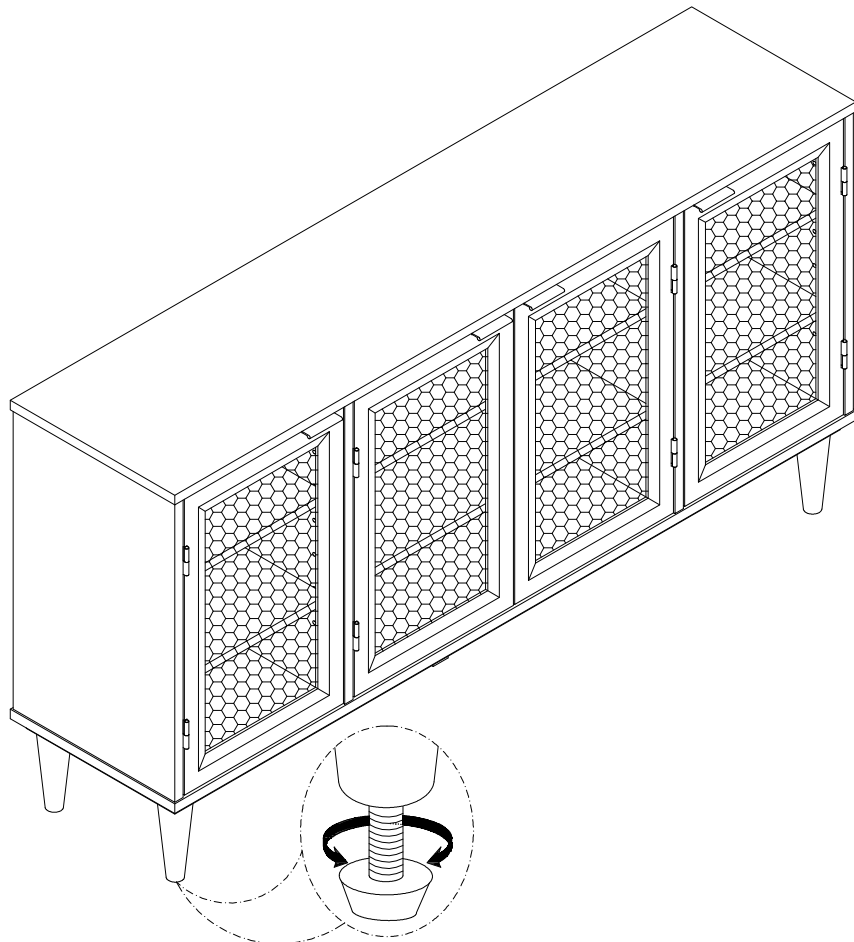
4

Step 7 :



③		4
④		8

Step 8 :



Step 9 : Attacha bracket securely to the back top rail of the dresser using the 5/8" screw provided, through the smaller hole.

Locate the other bracket on the wall over a wall stud and 2 inches below the mounting bracket secured to the back of your unit. Attach the wall stud using the 2" screw provided, through the smaller hole.

Place the dresser into position so both mounting brackets are vertically inline.

Lace the end of the restraint strap through the larger hole in each mounting bracket, Bring both ends together and slice the flat end through the locking end and draw it through until all slack is removed.

Confirm that the strap is securely laced and locked.

