

# ASSEMBLY INSTRUCTIONS

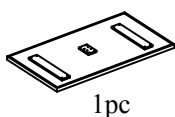
ITEM: WF290789AAE/WF290789AAP/WF290789AAD

Important note/ Note importante:

1. Place all wooden parts on a clean and smooth surface such as a rug or carpet to avoid scratching the parts.
2. Kindly follow the assembly instructions step by step.
3. Do not tighten all screws and bolts until the table is fully assembled.
4. Unscrew the protective plastique supports from the metal insert of the table legs before assembly.

## PARTS IDENTIFICATION

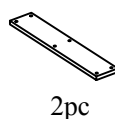
**A** Table Top



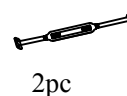
**B** Leg



**C** Stretcher



**D** Connection panel



## HARDWARE IDENTIFICATION

**1** Bolt

5/16"X38mm



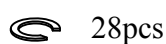
**2** Bolt

5/16"X20mm



**3** Spring Washer

5/16"X11mm

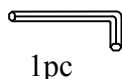


**4** Flat Washer

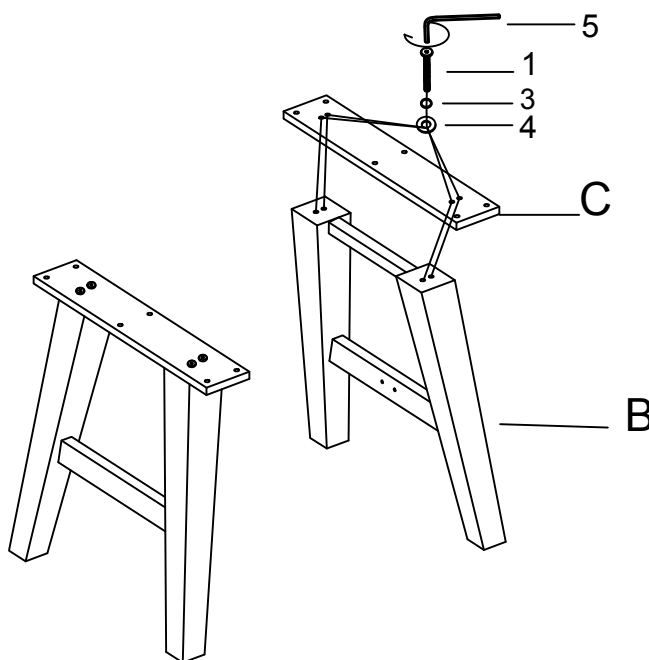
5/16"X19mm



**5** Allen Key



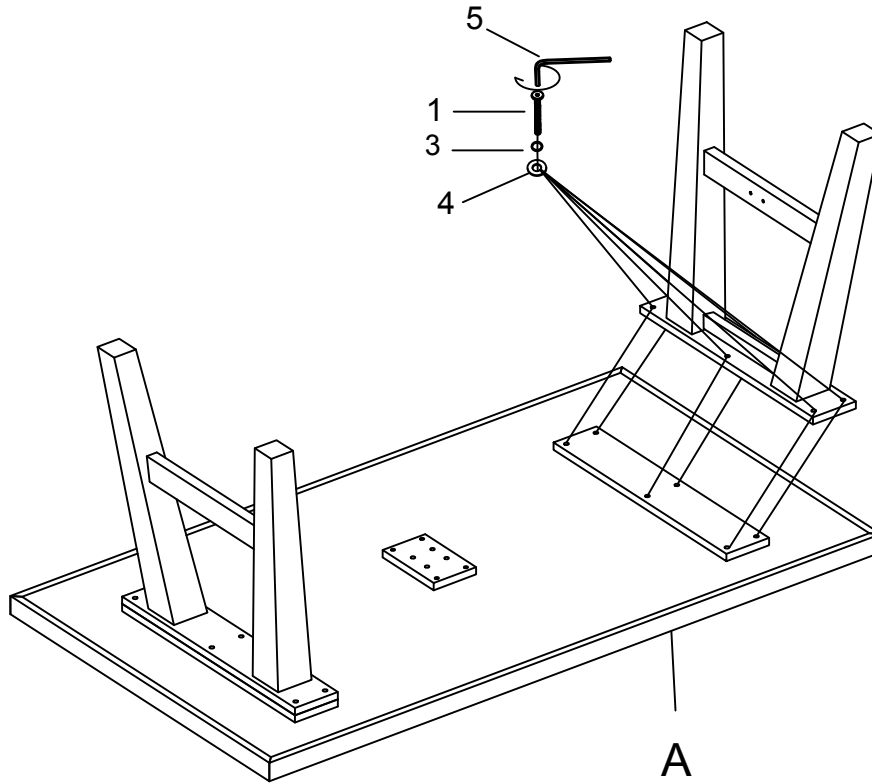
### STEP 1



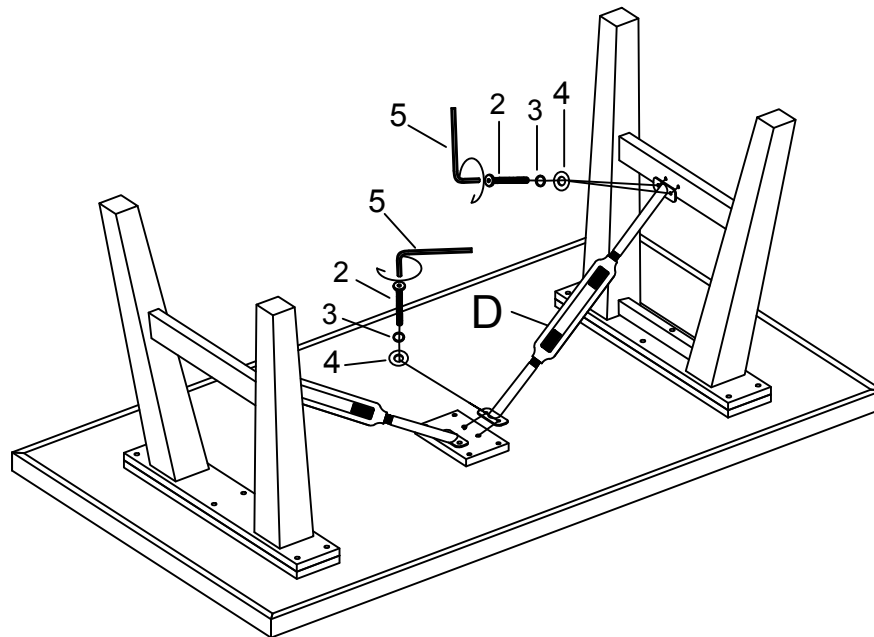
# ASSEMBLY INSTRUCTIONS

ITEM: WF290789AAE/WF290789AAP/WF290789AAD

## STEP 2



## STEP 3



# ASSEMBLY INSTRUCTIONS

ITEM: WF290789AAE/WF290789AAP/WF290789AAD

COMPLETE

