

# ASSEMBLY INSTRUCTIONS

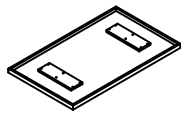
ITEM: WF291224AAE/WF291224AAP

## Important note:

1. Place all wooden parts on a clean and smooth surface such as a rug or carpet to avoid scratching the parts.
2. Kindly follow the assembly instructions step by step.
3. Do not tighten all screws and bolts until the table is fully assembled.
4. Unscrew the protective plastique supports from the metal insert of the table legs before assembly.

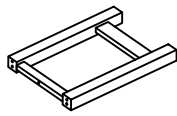
## PARTS IDENTIFICATION

**A** Table Top



1pc

**B** Leg



2pc

**C** Stretcher



2pc

**D** Connection panel



1pc

## HARDWARE IDENTIFICATION

**1** Bolt

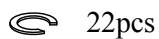
1/4"X38mm



24pcs

**2** Spring Washer

1/4"X11mm



22pcs

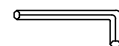
**3** Flat Washer

1/4"X19mm



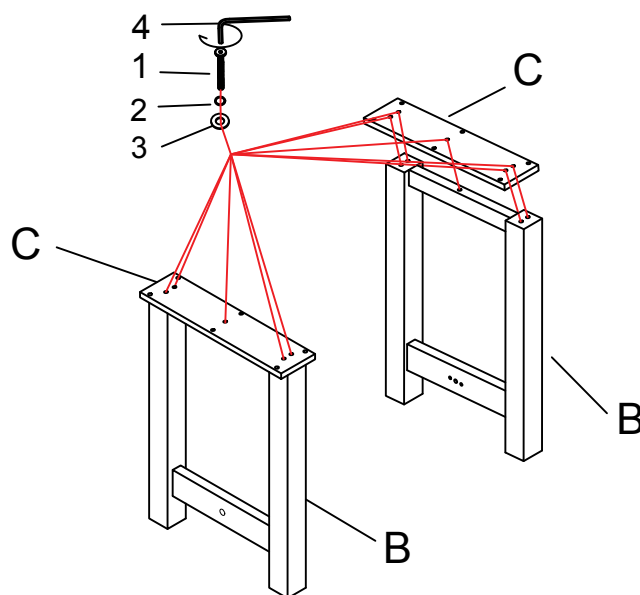
22pcs

**4** Allen Key



1pc

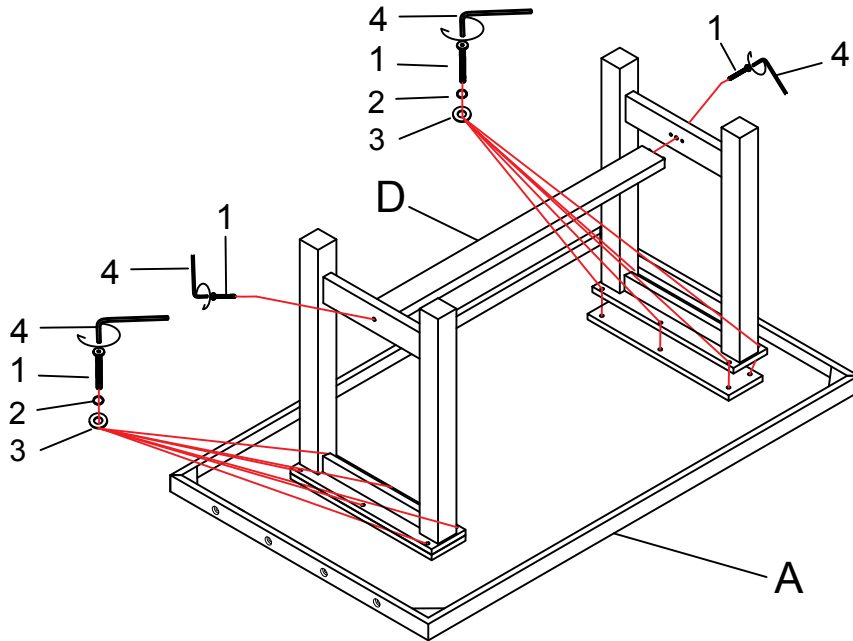
## STEP 1



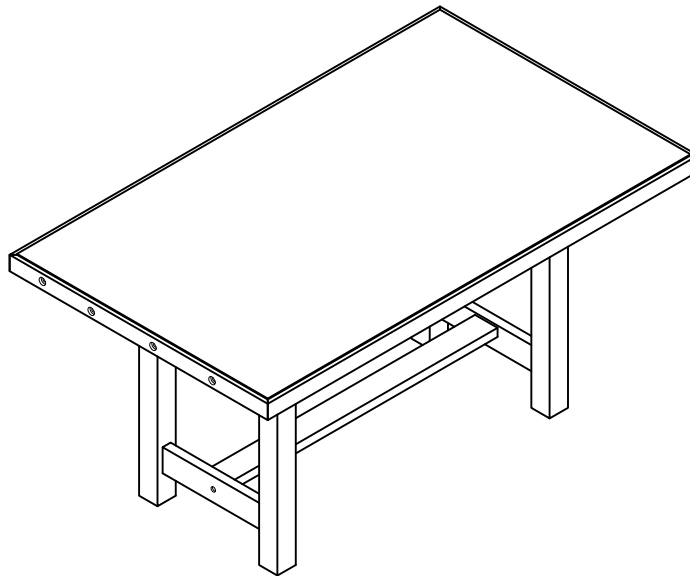
# ASSEMBLY INSTRUCTIONS

ITEM: WF291224AAE/WF291224AAP

## STEP 2



## COMPLETE



# ASSEMBLY INSTRUCTIONS

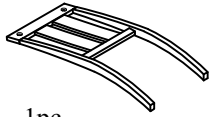
ITEM NO : WF291225AAE/WF291225AAP

## Important note:

1. Place all wooden parts on a clean and smooth surface such as a rug or carpet to avoid scratching the parts.
2. Kindly follow the assembly instructions step by step.
3. Do not tighten all screws and bolts until the table is fully assembled.
4. Unscrew the protective plastique supports from the metal insert of the table legs before assembly.

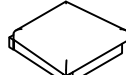
## PARTS IDENTIFICATION

**A** Chair Back



1pc

**B** Seat cushion



1pc

**C** Front Leg



2pcs

## HARDWARE IDENTIFICATION

**1** Bolt

1/4"X40mm



2pcs

**2** Long Bolt

1/4"X80mm



4pcs

**3** Bolt

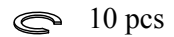
1/4"X60mm



4pcs

**4** Spring Washer

1/4"X11mm



10 pcs

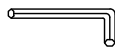
**5** Flat Washer

1/4"X19mm



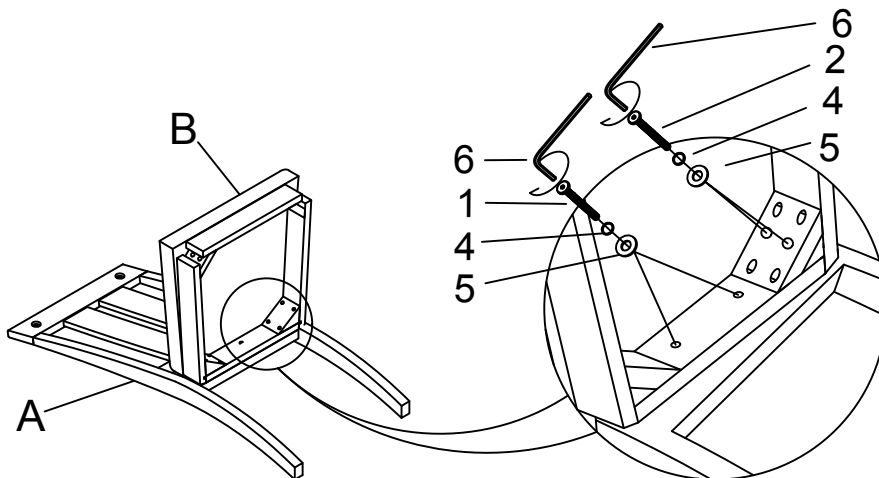
10 pcs

**6** Allen Key



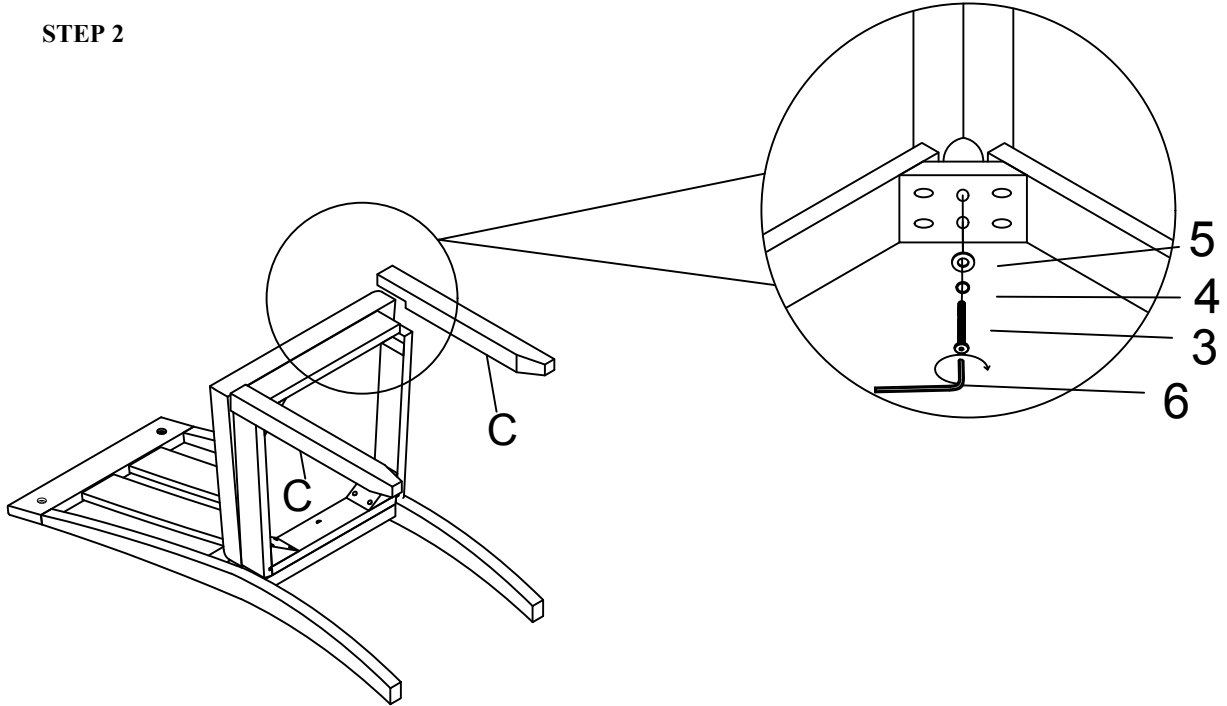
1pc

## STEP 1

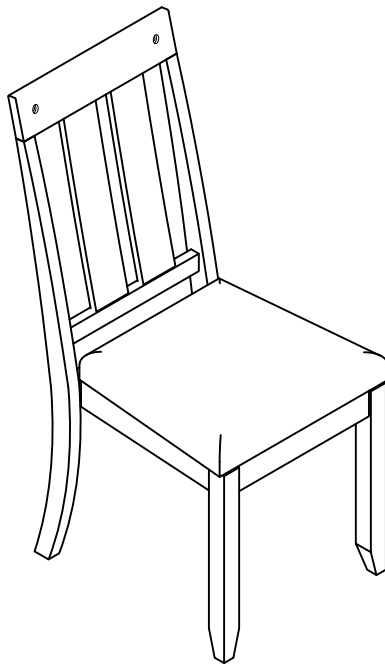


**ASSEMBLY INSTRUCTIONS**  
**ITEM NO : WF291225AAE/WF291225AAP**

**STEP 2**



**COMPLETE**



# ASSEMBLY INSTRUCTIONS

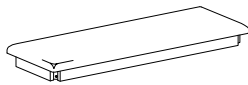
ITEM NO : WF291225AAE/WF291225AAP

### Important note:

1. Place all wooden parts on a clean and smooth surface such as a rug or carpet to avoid scratching the parts.
2. Kindly follow the assembly instructions step by step.
3. Do not tighten all screws and bolts until the table is fully assembled.
4. Unscrew the protective plastique supports from the metal insert of the table legs before assembly.

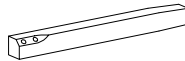
### PARTS IDENTIFICATION

**A** SEAT FRAME



1pc

**B** LEG



4pc

### HARDWARE IDENTIFICATION

**1** Bolt

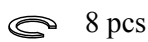
1/4"X60mm



8pcs

**2** Spring Washer

1/4"X11mm



8 pcs

**3** Flat Washer

1/4"X19mm



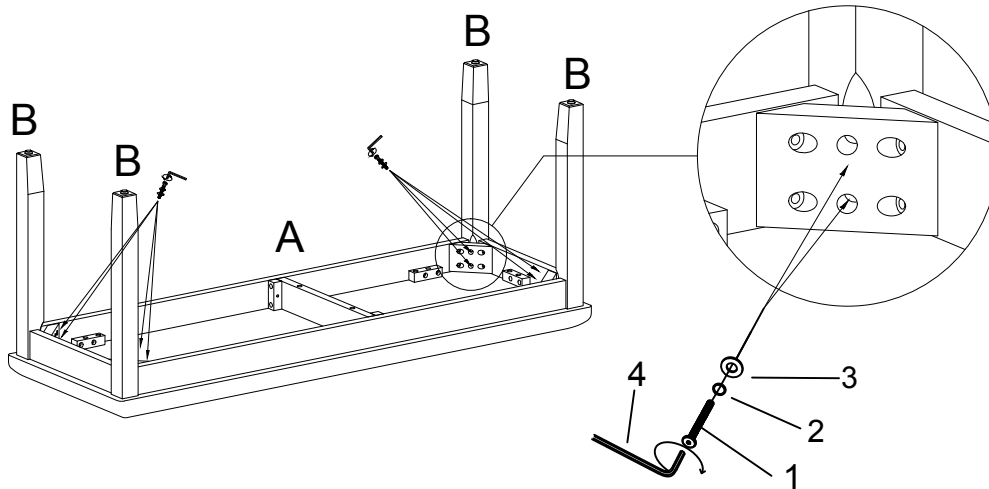
8 pcs

**4** Allen Key



1pc

### STEP 1



### COMPLETE

