

# ASSEMBLY INSTRUCTIONS

ITEM NO : WF290918AAE/AAP

Important note/ Note importante:

1. Place all wooden parts on a clean and smooth surface such as a rug or carpet to avoid scratching the parts.
2. Kindly follow the assembly instructions step by step.
3. Do not tighten all screws and bolts until the table is fully assembled.
4. Unscrew the protective plastique supports from the metal insert of the table legs before assembly.

## PARTS IDENTIFICATION

**A** Chair Back    **B** Seat cushion    **C** Front Left Leg    **D** Front Right Leg    **E** Left Stretcher    **F** Right Stretcher



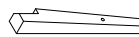
1pc



1pc



1pcs



1pcs



1pcs



1pcs

## HARDWARE IDENTIFICATION

**1** Bolt

1/4"X40mm



2pcs

**2** Long Bolt

1/4"X80mm



4pcs

**3** Bolt

1/4"X60mm



4pcs

**4** Spring Washer

1/4"X11mm



10 pcs

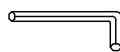
**5** Flat Washer

1/4"X19mm



10 pcs

**6** Allen Key



1pc

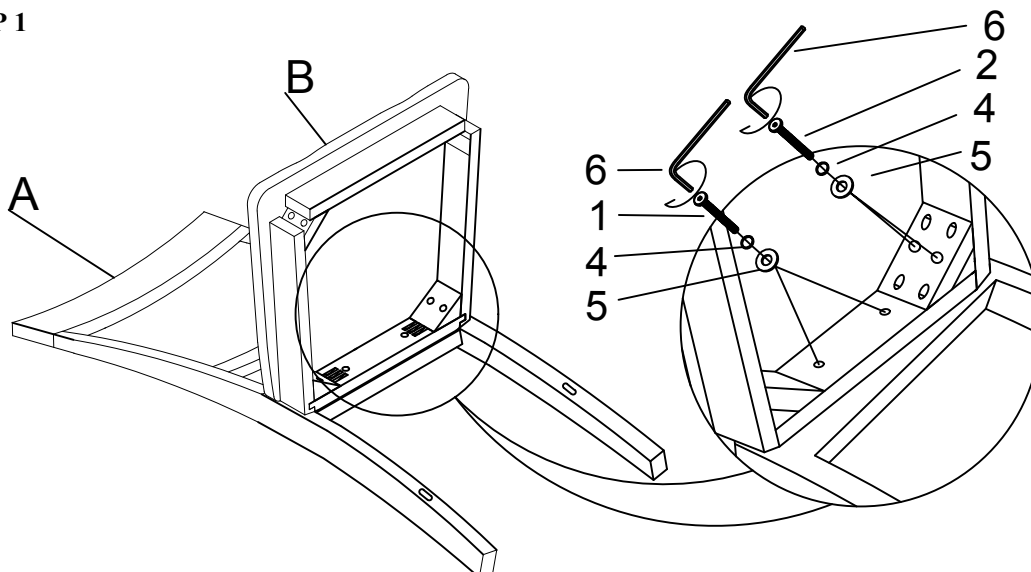
**7** Wood screw

4X38mm



4pcs

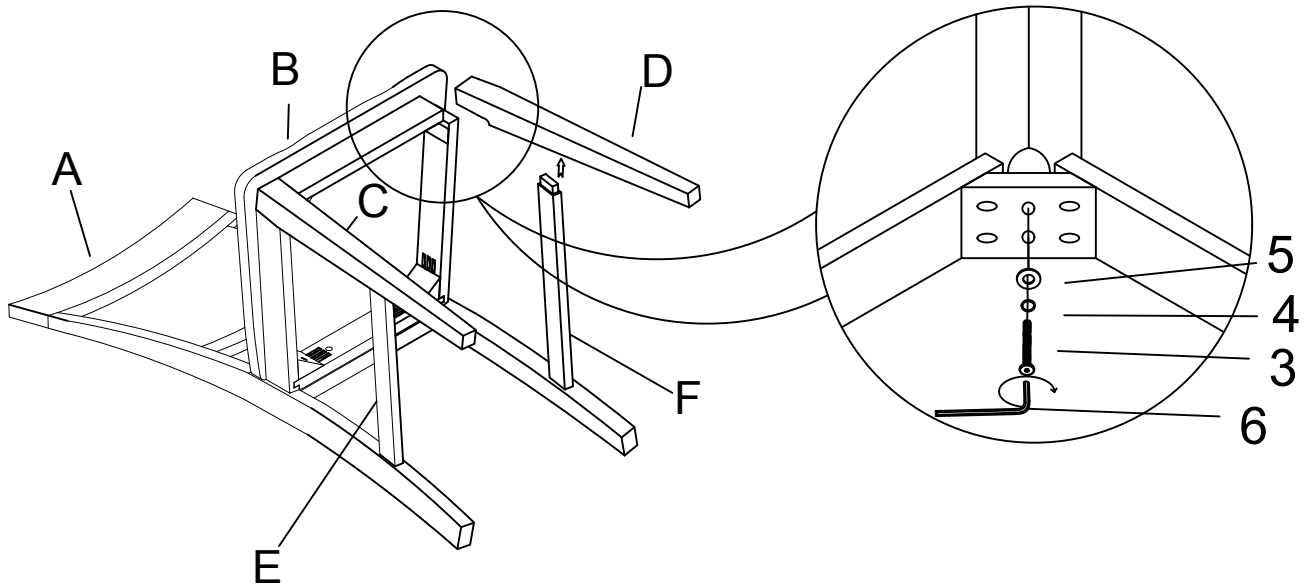
### STEP 1



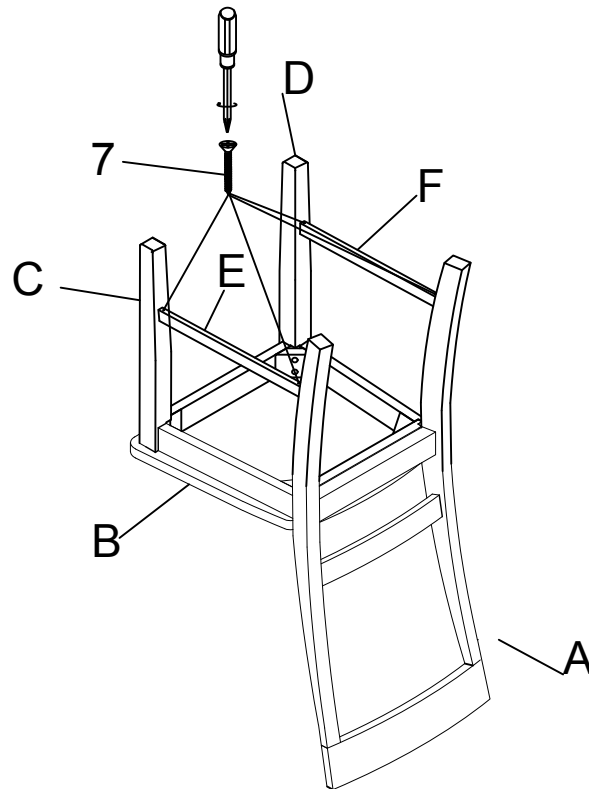
# ASSEMBLY INSTRUCTIONS

ITEM NO : WF290918AAE/AAP

## STEP 2



## STEP 3



# ASSEMBLY INSTRUCTIONS

ITEM NO : WF290918AAE/AAP

COMPLETE

