

ASSEMBLY INSTRUCTIONS

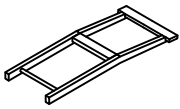
ITEM: WF291237AAE/WF291237AAP

Important note:

1. Place all wooden parts on a clean and smooth surface such as a rug or carpet to avoid scratching the parts.
2. Kindly follow the assembly instructions step by step.
3. Do not tighten all screws and bolts until the table is fully assembled.
4. Unscrew the protective plastique supports from the metal insert of the legs before assembly.

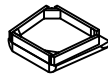
PARTS IDENTIFICATION

A Chair Back



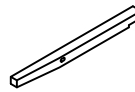
1pc

B Seat cushion



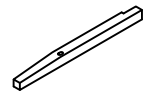
1pc

C Front Left Leg



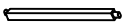
1pc

D Front Right Leg



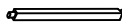
1pc

E Left Stretcher



1pc

F Right Stretcher



1pc

G Front Stretcher



1pc

HARDWARE IDENTIFICATION

1 Bolt

1/4"X40mm



2pcs

2 Long Bolt

1/4"X80mm



4pcs

3 Bolt

1/4"X60mm



4pcs

4 Bolt

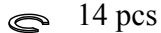
1/4"X20mm



4pcs

5 Spring Washer

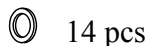
1/14"X11mm



14 pcs

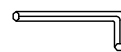
6 Flat Washer

1/4"X19mm



14 pcs

7 Allen Key



1pc

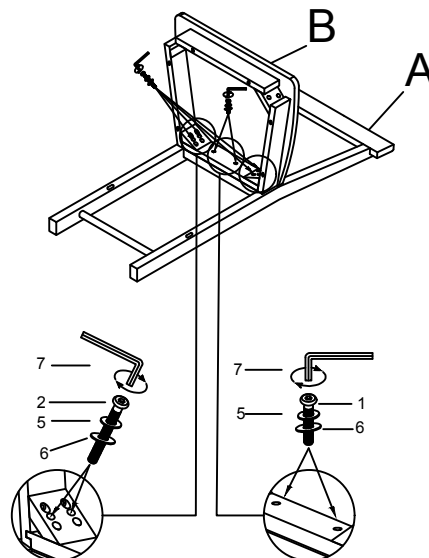
8 Wood screw

4X38mm



4pcs

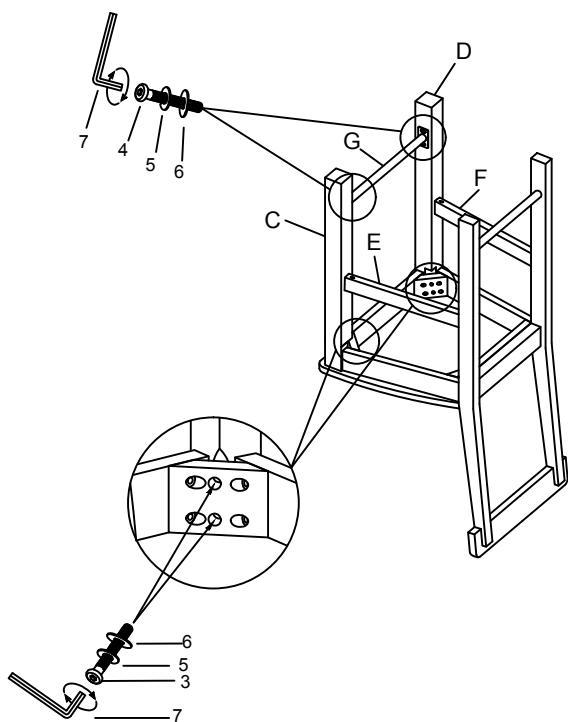
STEP 1



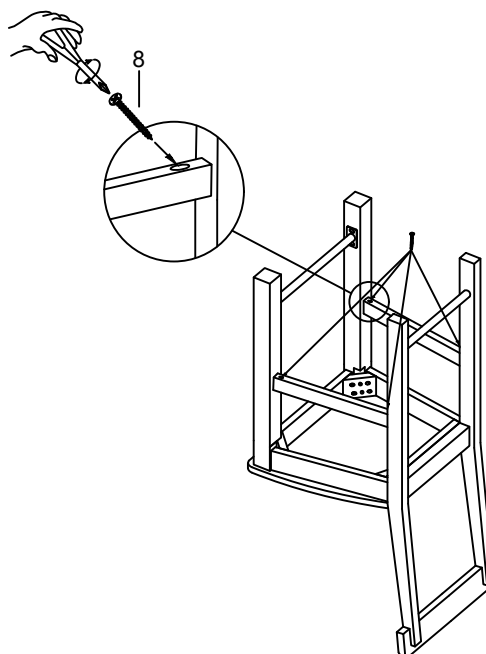
ASSEMBLY INSTRUCTIONS

ITEM: WF291237AAE/WF291237AAP

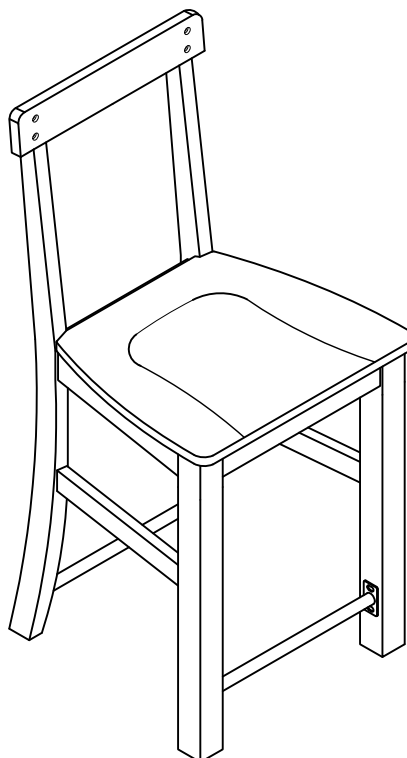
STEP 2



STEP 3



COMPLETE








ASSEMBLY INSTRUCTIONS

ITEM: WF291236AAE/WF291236AAP







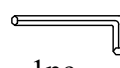

Important note:

1. Place all wooden parts on a clean and smooth surface such as a rug or carpet to avoid scratching the parts.
2. Kindly follow the assembly instructions step by step.
3. Do not tighten all screws and bolts until the table is fully assembled.
4. Unscrew the protective plastique supports from the metal insert of the table legs before assembly.

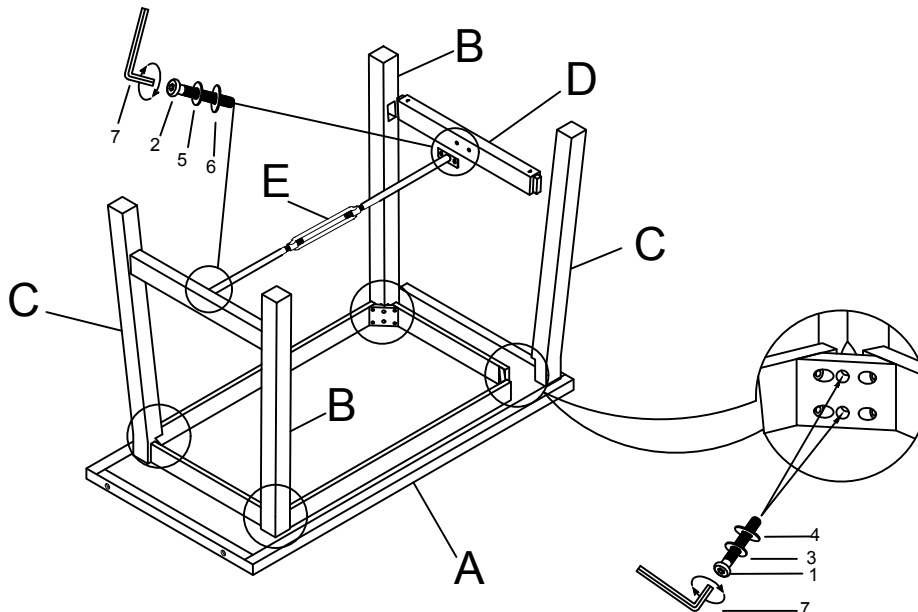
PARTS IDENTIFICATION

A Table Top	B Left Leg	C Right Leg	D Stretcher	E Connection panel
				
1pc	2pc	2pc	2pc	1pc

HARDWARE IDENTIFICATION

1 Bolt 5/16"X60mm  8pcs	2 Bolt 1/4"X20mm  4pcs	3 Spring Washer 5/16"X11mm  8pcs	4 Flat Washer 5/16"X19mm  8pcs
5 Spring Washer 1/4"X11mm  4pcs	6 Flat Washer 1/4"X19mm  4pcs	7 Allen Key  1pc	8 Wood screw 4X50mm  4pcs

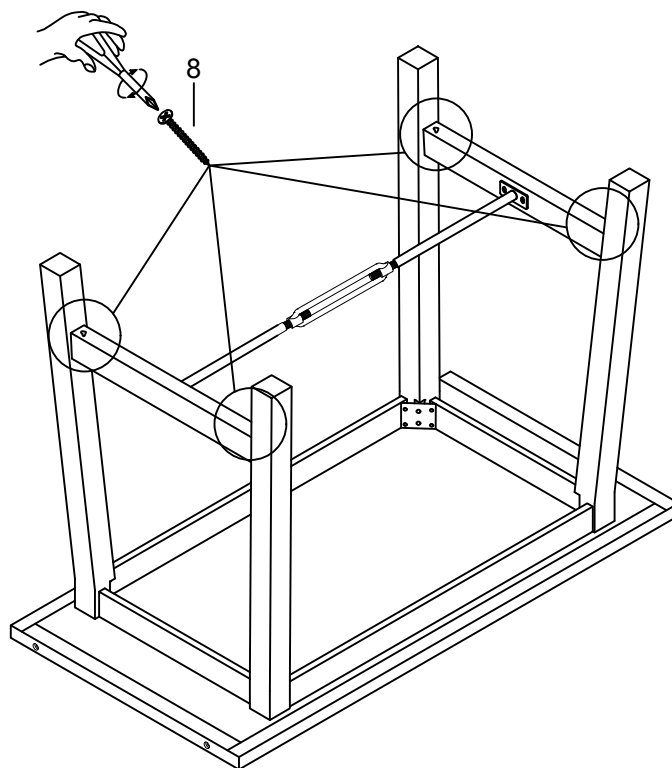
STEP 1



ASSEMBLY INSTRUCTIONS

ITEM: WF291236AAE/WF291236AAP

STEP 2



COMPLETE

