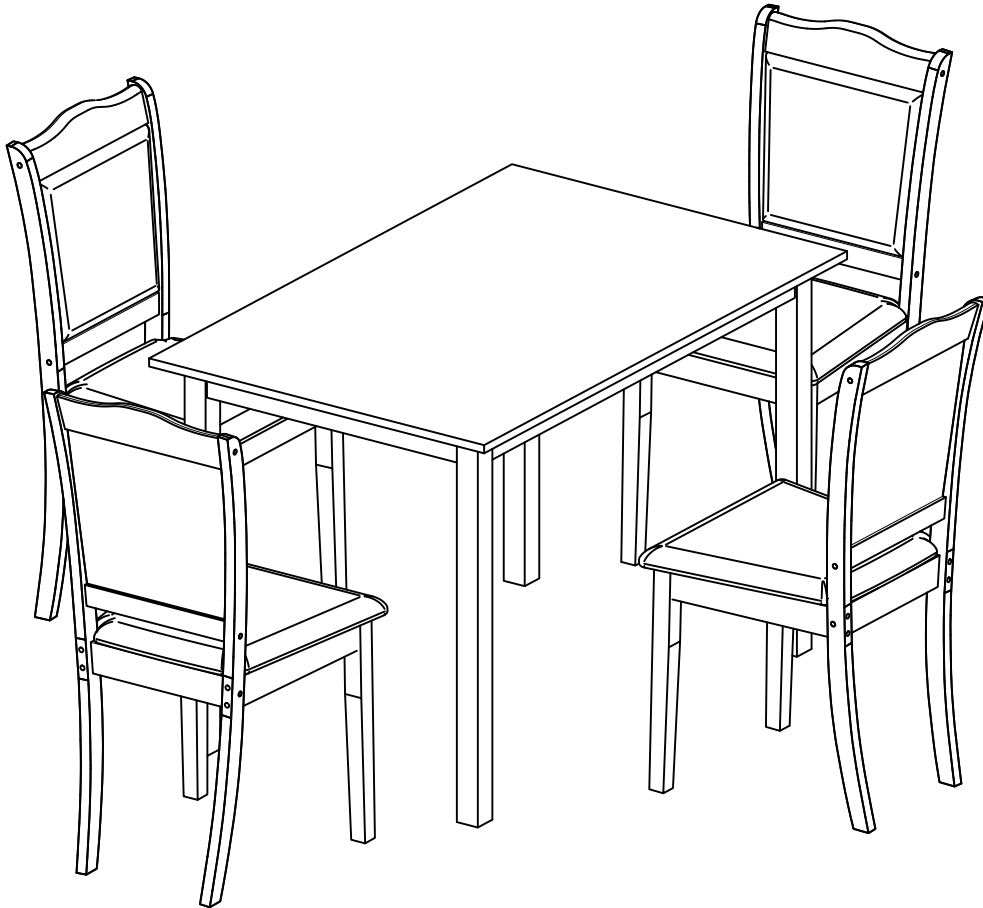


ASSEMBLY INSTRUCTIONS

DINING TABLE SET



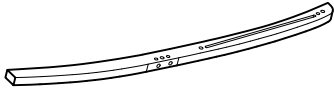
WF293880

IMPORTANT NOTE:

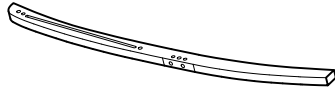
- PLACE ALL PARTS ON A CLEAN AND SMOOTH SURFACE SUCH AS A RUG OR CARPET TO AVOID THE PARTS FROM BEING SCRATCHED.
- BEFORE YOU BEGIN, KINDLY FOLLOW THE ASSEMBLY INSTRUCTIONS STEP BY STEP.
- DO NOT TIGHTEN ALL SCREWS AND BOLTS UNTIL THE TABLE SET IS FULLY SET-UP.

CARTON CONTENT:

WF293880:



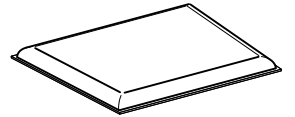
1 x 1



2 x 1



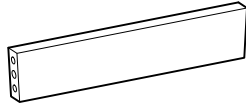
3 x 1



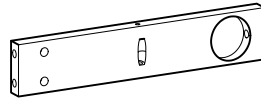
4 x 1



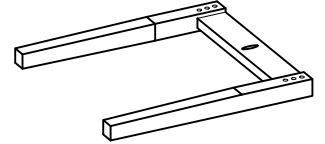
5 x 1



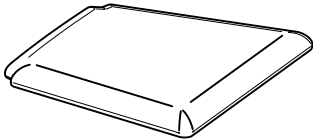
6 x 1



7 x 2



8 x 1



9 x 1



10 x 1



11 x 4

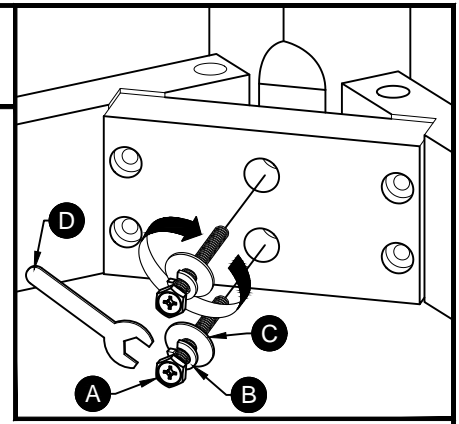
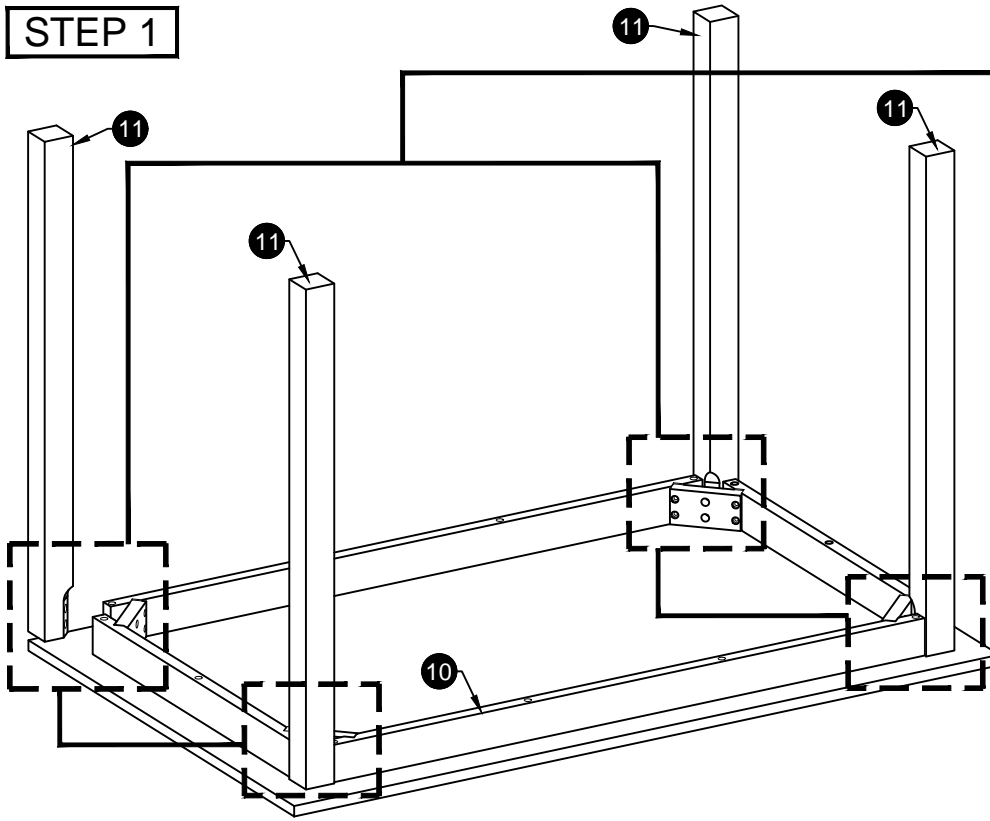
TABLE PART LISTS

NO.	DESCRIPTION	SKETCH	QTY
10	TABLE TOP		1 PC
11	TABLE LEG		4 PCS

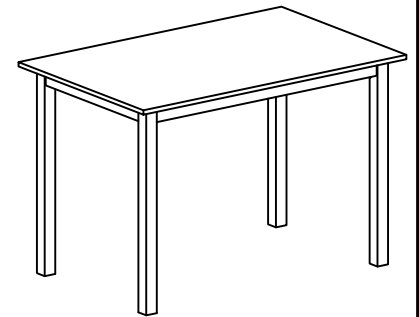
TABLE HARDWARE LISTS

NO.	DESCRIPTION	SKETCH	QTY
A	HEX COMB 5/16 x 2 1/2"		8 PCS
B	SPRING WASHER 5/16"		8 PCS
C	FLAT WASHER 5/16"		8 PCS
D	SPANNER 12.8		1 PC

STEP 1



ASSEMBLY COMPLETE !



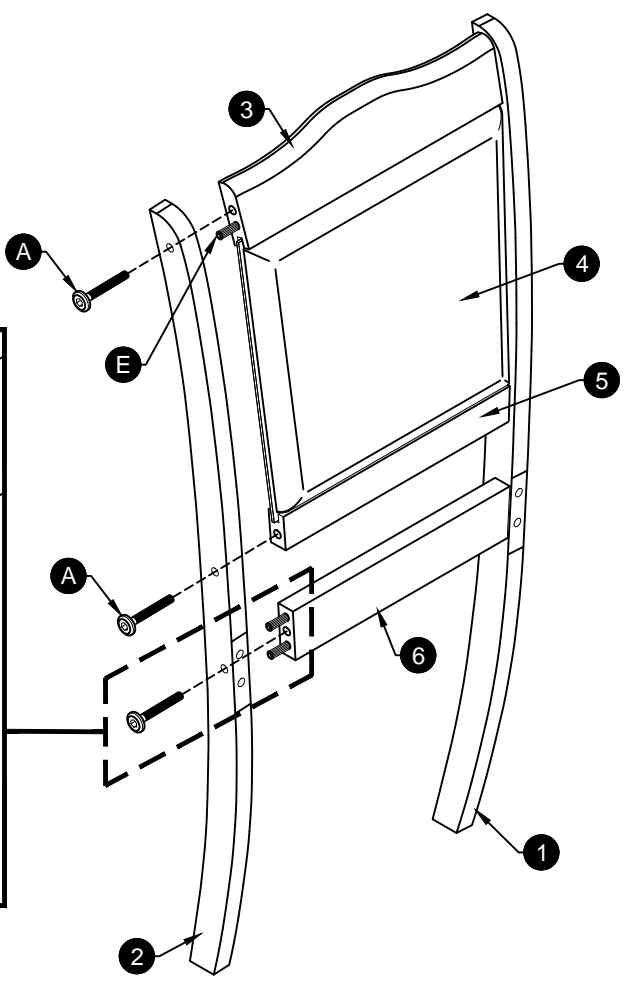
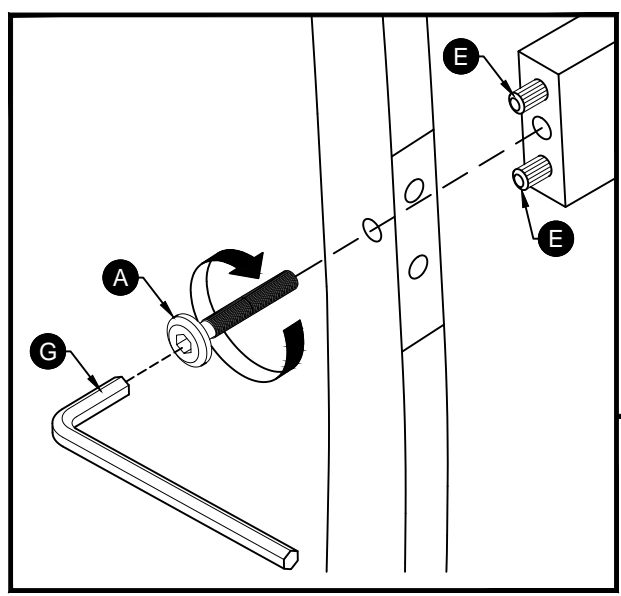
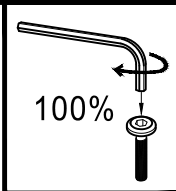
CHAIR PART LISTS FOR ONE

NO.	DESCRIPTION	SKETCH	QTY
1	BACK LEG (R)		1 PC
2	BACK LEG (L)		1 PC
3	BACK TOP		1 PC
4	BACK MID		1 PC
5	BACK MID SUPPORT		1 PC
6	BACK RAIL		1 PC
7	SIDE RAIL		2 PCS
8	FRONT LEG		1 PC
9	SEAT		1 PC

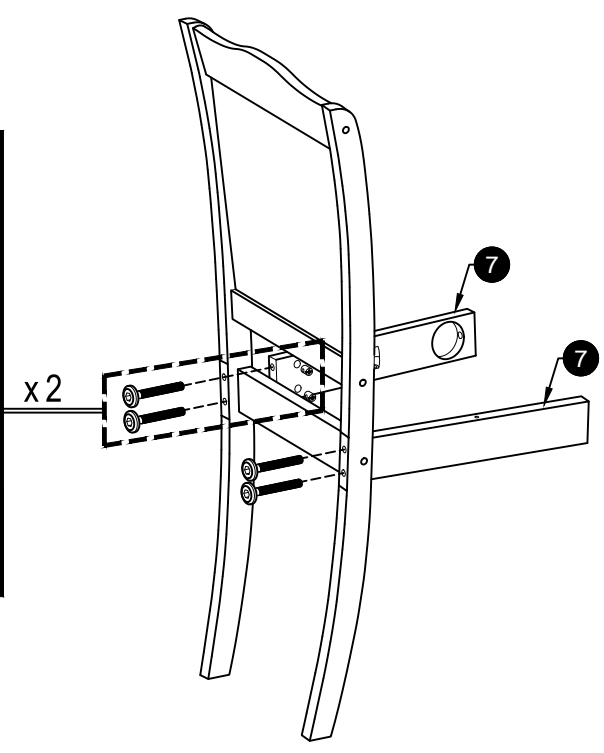
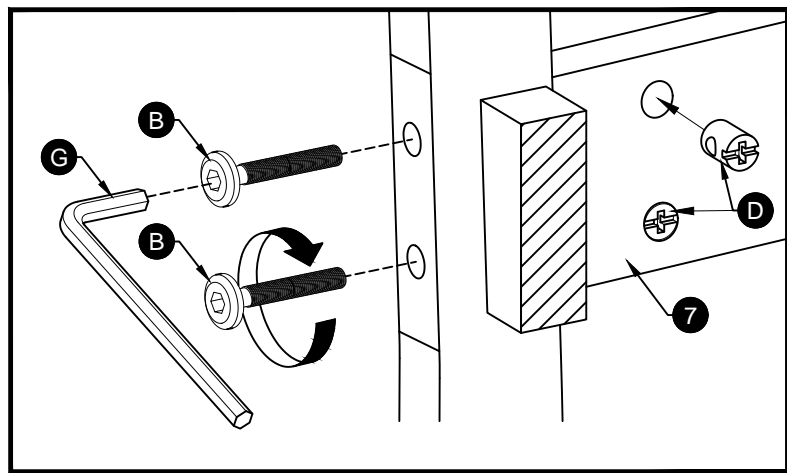
CHAIR HARDWARE LISTS FOR ONE

NO.	DESCRIPTION	SKETCH	QTY
A	JCBC BOLT M6 x 50mm		8 PCS
B	JCBC BOLT M6 x 80mm		4 PCS
C	SPRING WASHER 1/4"		2 PCS
D	BARREL NUT M6 x 13mm		4 PCS
E	WOOD DOWEL M8 x 25mm		10 PCS
F	C/B SCREW M4 x 30mm		3 PCS
G	ALLEN KEY M4		1 PC

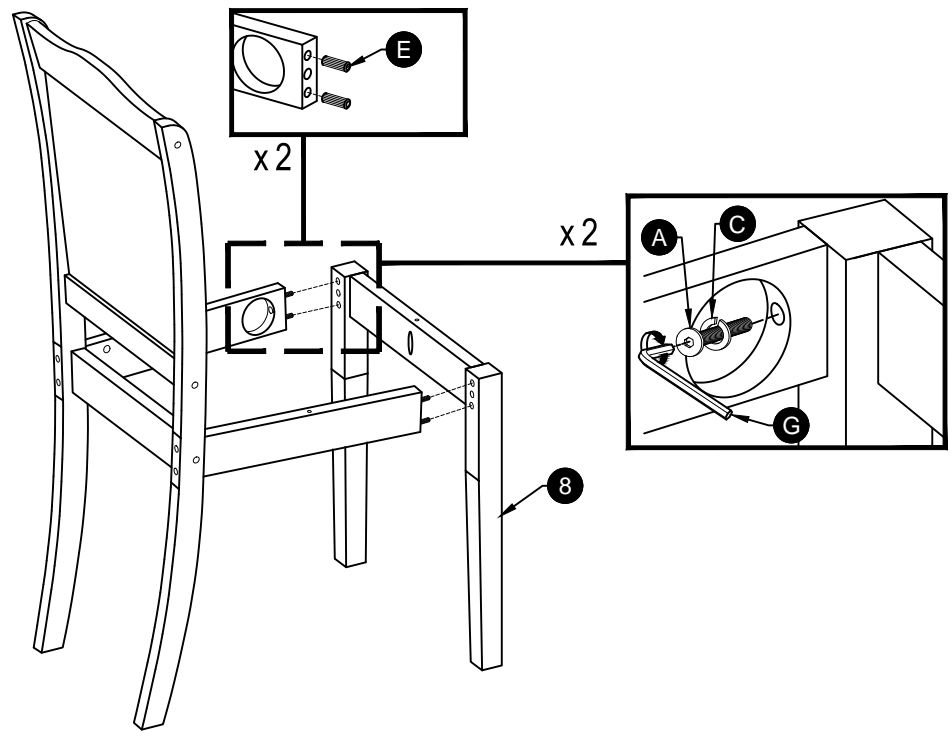
STEP 2



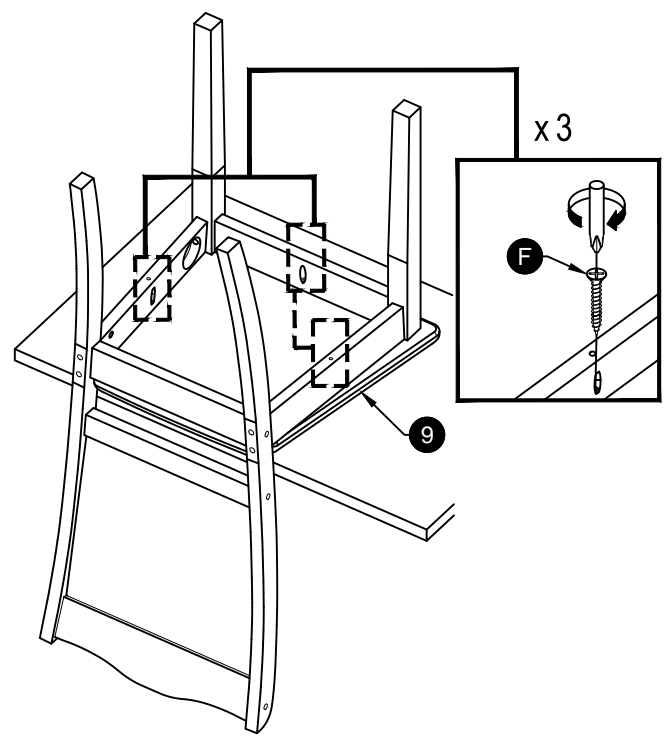
STEP 3



STEP 4



STEP 5



ASSEMBLY COMPLETE !

