

ASSEMBLY INSTRUCTION

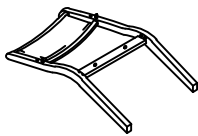
ITEM: WF295747AAE/WF295747AAP
ITEM: WF295748AAE/WF295748AAP

Important note:

1. Place all wooden parts on a clean and smooth surface such as a rug or carpet to avoid scratching the parts.
2. Kindly follow the assembly instructions step by step.
3. Do not tighten all screws and bolts until the table is fully assembled.
4. Unscrew the protective plastic supports from the metal insert of the table legs before assembly.

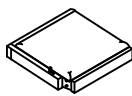
PARTS IDENTIFICATION

A Chair Back



1pc

B Seat cushion



1pc

C Front Right Leg



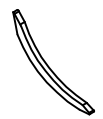
1pc

D Front Left Leg



1pc

E Arm



2pcs

HARDWARE IDENTIFICATION

1 Long Bolt
Ø1/4"X75mm



8pcs

2 Bolt
Ø1/4"X50mm



4pcs

3 Bolt
Ø1/4"X38mm



2pcs

4 Spring Washer
1/4"X11mm



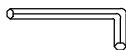
10 pcs

5 Flat Washer
1/4"X19mm



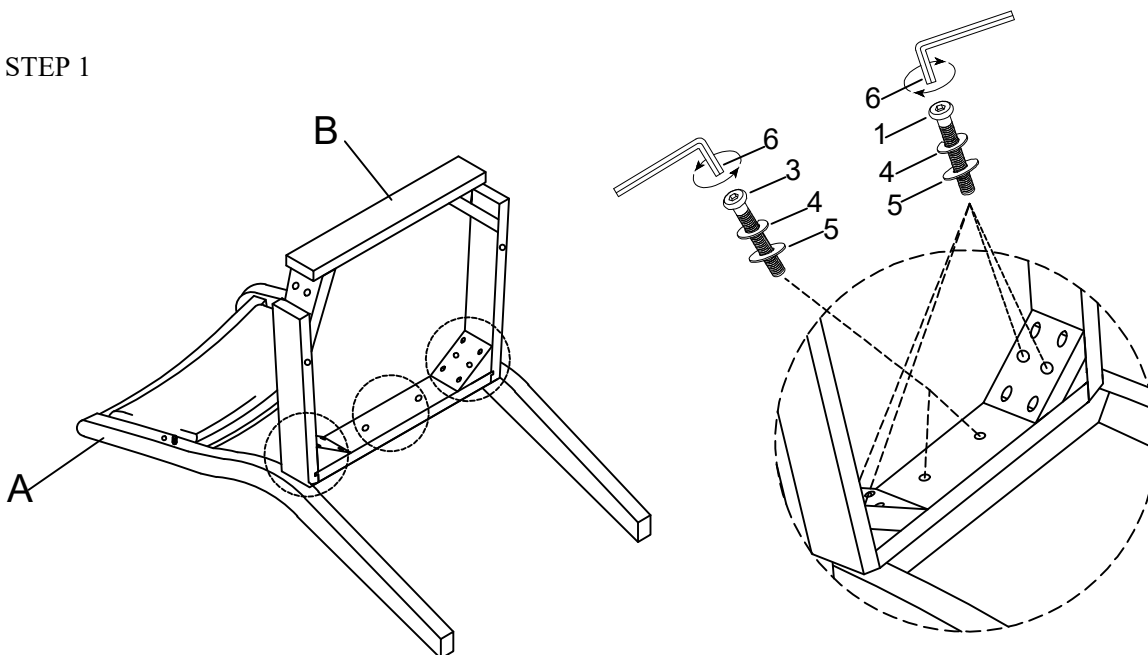
10 pcs

6 Allen Key



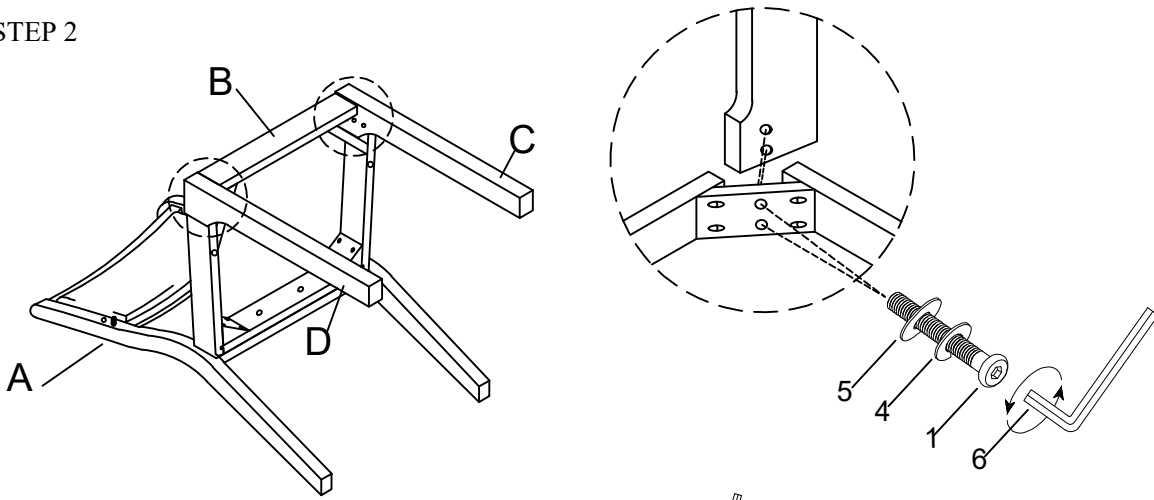
1pc

STEP 1

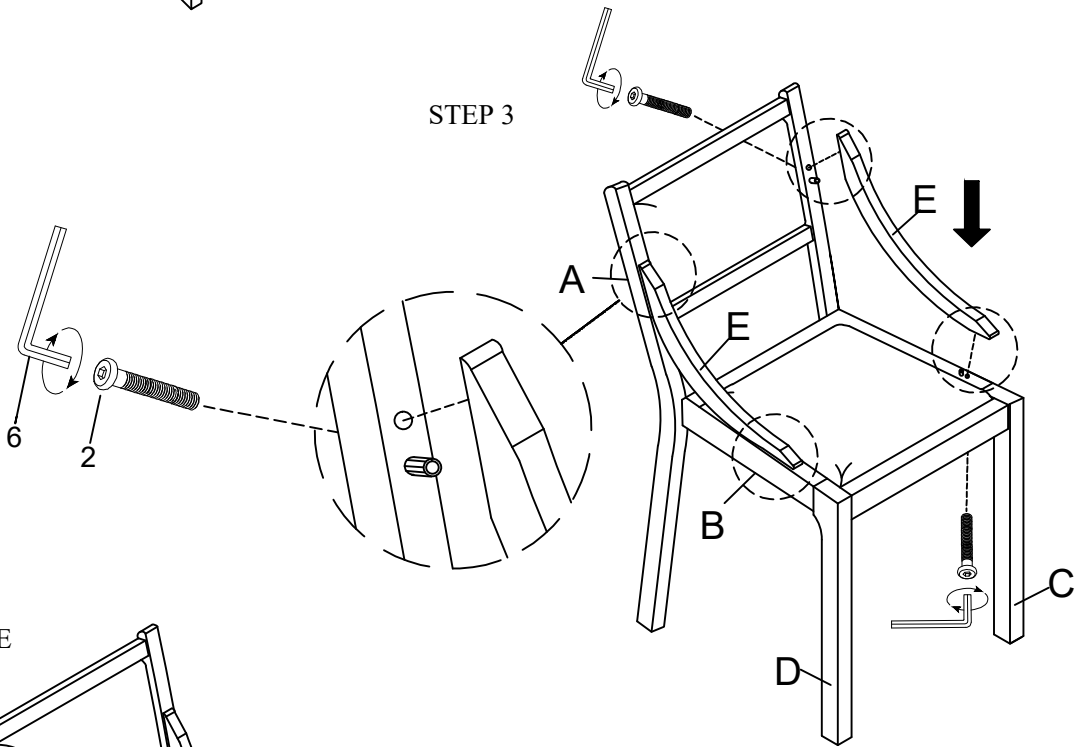


ASSEMBLY INSTRUCTION
ITEM: WF295747AAE/WF295747AAP
ITEM: WF295748AAE/WF295748AAP

STEP 2



STEP 3



COMPLETE

